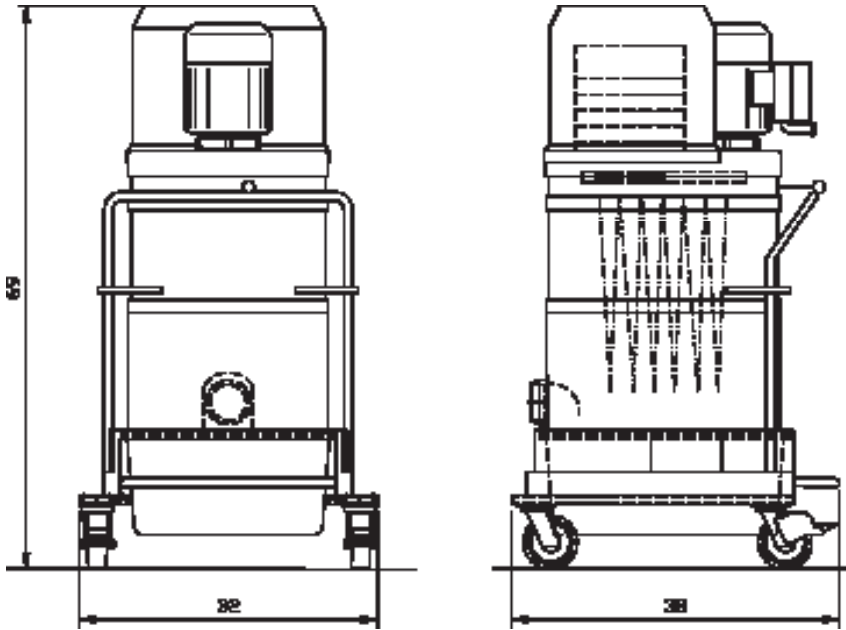


Continuous Duty Explosion Proof Vacuum DS 2410-EX



DS2410-EX Standard Specifications

- 5 HP Explosion Proof TEFC Motor, 208-230, 460 Volt, 3-Phase, 60 Hz, 300 CFM
- Explosion Proof Motor Starter - Class I, Group D & Class II, Groups F & G Rated
- 48 ft² MicroClean Filter with Manual Shaker System
- 2.75" Inlet Connection with Aluminum Cast Deflector
- Two Multi-Stage Centrifugal High Performance Turbines w/ Relief Valve
- 24 Gallon, Foot Lever Actuated Dustpan
- Counterbalanced Base with 6" Heavy Duty Double Anti-Static Casters
- Static-dissipating Compression Cast Housing

Base Price¹: DS2410-EX - Call for pricing

ADDER	DESCRIPTION
25143	Minihelic for Filter Monitoring ²
34878	Retractable Grounding Reel with Stainless Steel Clamp ²
S	51 ft ² HEPA Filter with Minihelic for DS2 Series ¹