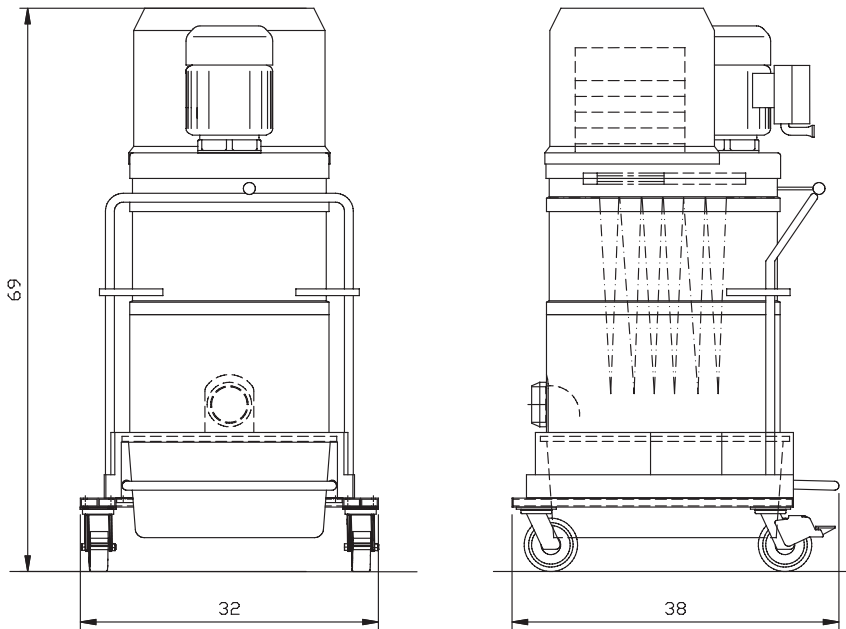


Continuous Duty Vacuum *POWERHOUSE* DS2720



DS2720 Standard Specifications

- 10 HP TEFC Motor, 208-230, 460 Volt, 3-Phase, 60 Hz, 24, 12 Amps
- Motor Starter - Class 10 Motor Overload Protection
- 48 ft² MicroClean Filter with Manual Shaker System
- 4" (100mm) Inlet Connection with Aluminum Cast Deflector
- Two Multi-Stage Centrifugal High Performance Turbines w/ Relief Valve
- 24 Gallon, Foot Lever Actuated Dustpan
- Counterbalanced Base with 6" (152mm) Heavy Duty Double Casters
- Compression Cast Composite Housing
- Also Available - Dust Explosion Proof Motor & Switch, Class II, Group F & G

Base Price¹: DS 2720 - Call for Pricing



ADDER	DESCRIPTION
9853R	Motorized Filter Shaker with Switch, (3-Phase) ²
18630B	Reverse Pulse with Electronics & Pressure Gauge ²
25143	Minihelic for Filter Monitoring ²
34878	Retractable Grounding Reel with Stainless Steel Clamp ²
S	51 ft ² HEPA Filter with Minihelic for DS2 Series ¹
OO	208/230 Volt, Three Phase ¹
CON	Custom Steel Frame, Rubberized Inlet, and Additional Housing Spacer ¹