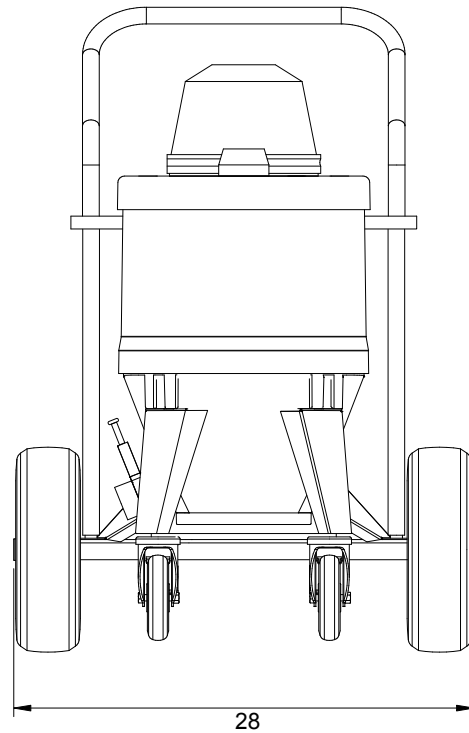
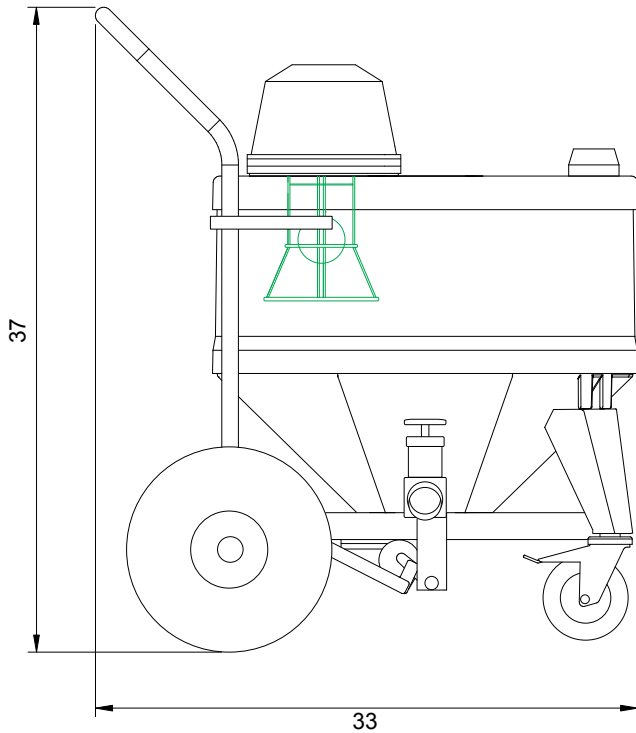


Wet/Dry Vacuum SumpPro[®] WSP2000



SUMP PRO SERIES



WSP2000 Standard Specifications

- 1.6 HP, (1) 1200 Watt Motor
- 120 Volt, Single Phase, 60 Hz, 12 Amps
- Standard "Acustek" Motor
- 8 Gallon Liquid Capacity
- 2" Manual Blast Gate for Liquid Discharge
- 8" Manual Slide Gate for Solids Discharge
- Positive Closure Float for Liquid Fill Shut Off
- 5" Front Swivel Casters with Brakes & 12" Rear Pneumatic Casters
- Compression Cast Composite Modular Housing



Base Price¹: WSP2000 - Call for Pricing

ADDER	DESCRIPTION
CC	240 Volt, Single Phase ¹
P	Return Pump, 38 Gal/Min, 1/4 HP, 1.5" Discharge, 1.5" x 10" Discharge Hose ¹
151510W	Accessory Package, 10' Vacuum Hose, Double Bend Adjustable Wand, 14" Floor Tool with Squeegee ²

¹SV, ²ADD