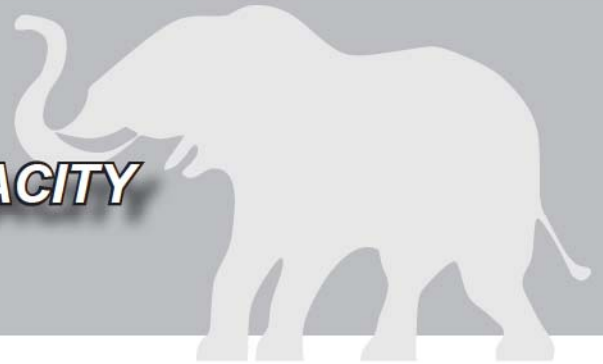


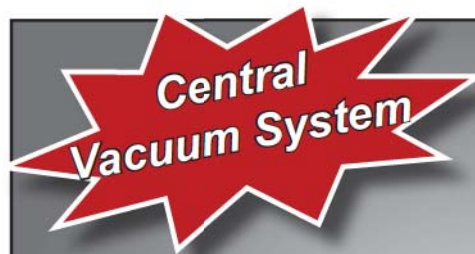
FA SERIES Silo CONTINUOUS DUTY SILO VACUUMS

**EXTREME FILTRATION WITH
AN INCREASED COLLECTION CAPACITY**

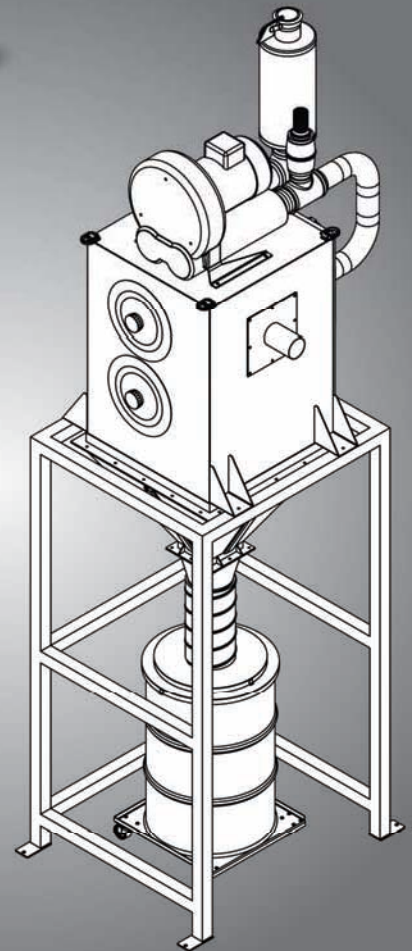


Ideal for:

- » Removal of large quantities of dust such as:
 - Carbon black and coal dust
 - Fiberglass, Talc, Flour, Grain, Automotive and Graphite
 - Plastic dust and pellets
 - Semiconductors, wood dust and fine powder
 - Textile, rubber and paint
 - Pharmaceuticals
 - Food preparation services
 - Combustible dusts



- Continuous duty operation
- 520 sq. ft. specialized pleated filter with reverse pulse technology
- 55 gallon drum capacity
- Fully customizable frame and venting options



MADE IN

THE USA



Ruwac

We vacuum everything.

www.ruwac.com

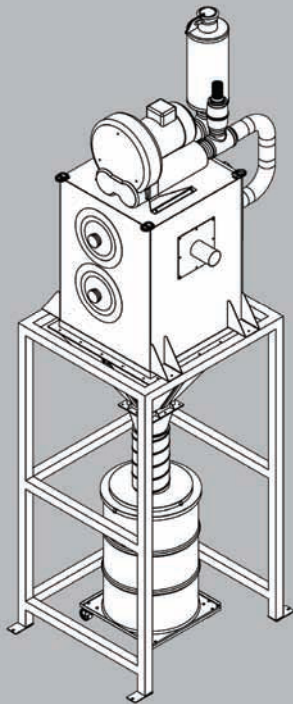
Call: 413-532-4030



FA SERIES Silo

CONTINUOUS DUTY SILO VACUUMS

The FA Series silo vacuum features an impressive 520 sq. ft of filter space, a VPK vacuum producer for continuous duty operation and that makes it ideal for cleaning up from multiple locations or large quantities of materials. Fully grounded and sealed to protect against static build-up, each silo is built in a heavy duty 11 gauge construction with a powder coated Ruwac red finish. An internal velocity break chamber ensures contents flow easily throughout the silo while reverse pulse technology keeps the filter from clogging. The FA Series silo vacuum also includes a 55 gallon drum for increased collection capacity, making it the best stationary vacuum system for the bulk clean-up of materials.



Quick release doors provide easy access to changing filters



Available with optional explosion venting dome and isolation

SILO FEATURES and ADDITIONAL OPTIONS

FILTRATION (Standard)

- Oversized 520 sq. ft. of filter space
- Specialized pleated filter cartridge

FILTER CLEANING

- Reverse pulse technology
- Available with timer or Delta P

DISPOSAL

- Internal velocity break chamber
- 55 gallon drum capacity (Standard)
- Optional equalizer kit for internal bagging

OPERATION

- Optional manual starter w/ overload protect
- Optional manual starter w/ remote Off / On
- VPK blower can be mounted remotely

FRAME

- Heavy duty 11 gauge frame (Standard)
- Custom frames to fit any configuration
- Contact us today for more info!

SV-T7	381 CFM	5.9 Hg"	7.5 HP
SV-T10	556 CFM	4.7 Hg"	10 HP
SV-T15	650 CFM	6 Hg"	15 HP
SV-T20	650 CFM	9.2 Hg"	20 HP
SV-T25	n/a	n/a	25 HP
SV-T30	808 CFM	10 Hg"	30 HP

*Custom units available up to 3000 CFM

