



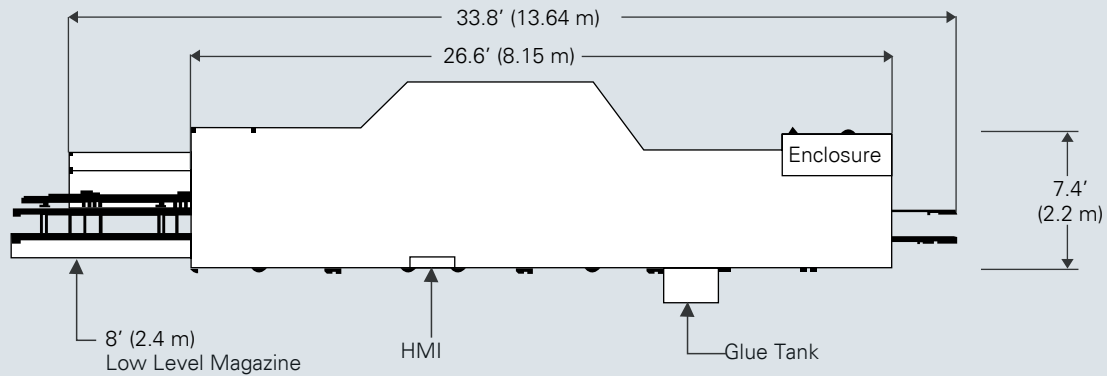
High Speed Large Center Cartoning Jones Criterion® 3



R.A Jones & Co. streamlines design, setup and changeover times, and machine cost in a customer-driven, total re-engineering of its JONES Criterion® cartoner line. This machine brings breakthrough sanitary design to global packaging lines. Developed with extensive customer input at multiple stages through the process, the JONES Criterion® 3 meets market needs for greater packaging flexibility and faster changeovers, easier operation and clean-up, reduced maintenance and downtime, even shorter lead times and start-up.

JONES CRITERION® 3

High Speed Large Center Cartoning



TYPICAL APPLICATIONS

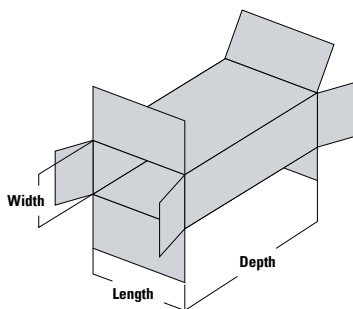
- Bag in Box
- Consumer Products
- Cracker/Cookie Slugs
- Pouch/Sachet
- Frozen Pizza
- Facial Tissue



PRODUCT FEATURES

- Speeds up to 330 cpm
- Rigid, heavy duty stainless steel frame with plated support rails
- 3 head servo driven rotary feeder
- Powered low level carton magazine with ergonomic 40" height
- Electronic digital counters for quick, repeatable changeovers
- Servo driven carton feed, barrel loader, overhead confiner and flap closers
- Ergonomic operator access design
- Barrel-cam product loader with overload protection
- Sanitary debris fall through design
- Fully accessible perimeter guarding with full length doors
- Allen Bradley ControlLogix widely available parts and service

Carton Size Range



9" Pitch	Length	Width	Depth
Carton Minimum	4.50" (108 mm)	1.25" (32 mm)	5.12" (130 mm)
Carton Maximum	7" (178 mm)	4.25" (108 mm)	14.50" (368 mm)
12" Pitch	Length		
Carton Minimum	5" (127 mm)	1.25" (32 mm)	5.12" (130 mm)
Carton Maximum	10" (254 mm)	4.25" (108 mm)	14.50" (368 mm)

Please contact

R.A Jones & Co.
 2701 Crescent Springs Road, Covington, KY 41017 / USA
 T. 1 859 341 0400 • F. 1 859 341 0519
www.rajones.com
sales@rajones.com