

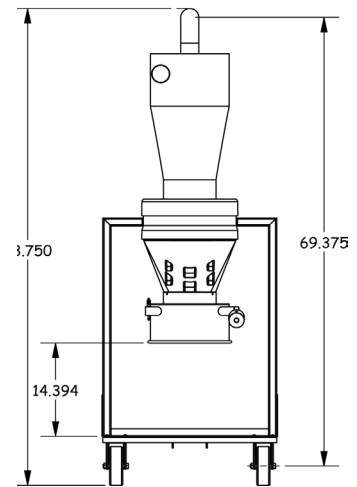
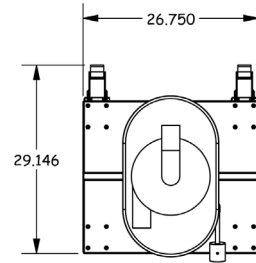
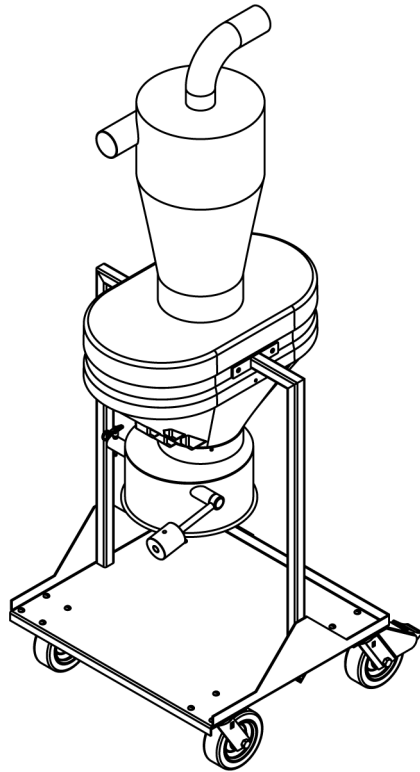
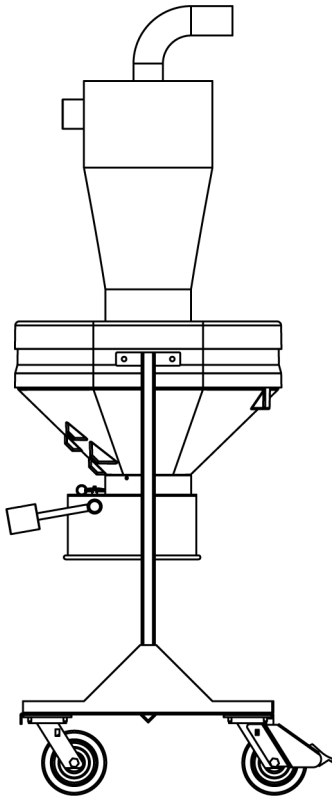
PRE-SEPARATION



Direct Bagging System



SEPARATION SYSTEMS



HEC-DB Standard Specifications

- Increases collection capacity and filter life
- Direct bagging feature allows for more efficient clean-up and minimal contact with contents
- Oversized internal drop out chamber with velocity break
- External gravity drop system for continuous discharge from storage hopper
- Included connection hose is grounded and attaches to any Ruwac vacuum
- Available in 8", 12" and 14" HEC diameters

Base Price: HEC 8 DB - Call for pricing

Base Price: HEC 12 DB - Call for pricing

Base Price: HEC 14 DB - Call for pricing



ADDER

EX

DESCRIPTION

Conductive Casters (Required for Explosion Proof Applications)