

Pneumatic Blast Gate Valves



Installation, Operation, Maintenance & Service

1. Safety Guidelines

For installation and putting into operation the current Health and Safety Regulations applicable for the operating location are to be observed decisively.

The slide valve has to be installed properly, so that no danger spot with fixed or movable parts of the environment appears while opening and closing.

CAUTION CRUSHING HAZARD!

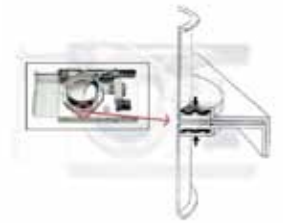
A protection cover for the slide valve sheet is available for extra charge. Before starting maintenance and repair work it is absolutely necessary to disconnect the slide valve from main electrical connection and compression air system.

2. Design

- The shell is made of two casing halves bolt together.
- Up to a nominal diameter of 8", two sealing rings are inserted in each casing half (see illustration).
- From a nominal diameter of 9" up to the slide valve

is operated by two pneumatic cylinders with a diameter of 25 - 50 mm.

- The slide valve operating by a three way, 2 position valve with spring return is standard equipment. Special design is available on request.
- Installation of proximity switches directly on the cylinder for positioning is possible. The switches are activated by a magnet in the cylinder piston.



3. Maintenance

All electric and pneumatic connections must be checked in intervals of four weeks at the latest and before putting into service. Furthermore, it has to be checked that all screws at shell, cylinder and piston rod fit properly. Locktite is on the piston rod nuts to prevent loosening. In case the nut is removed or adjusted, reapply Locktite, as required.

4. Technical data - 3 Way 2 Position Valve

Voltage: 24 V DC 3W or 220V AC

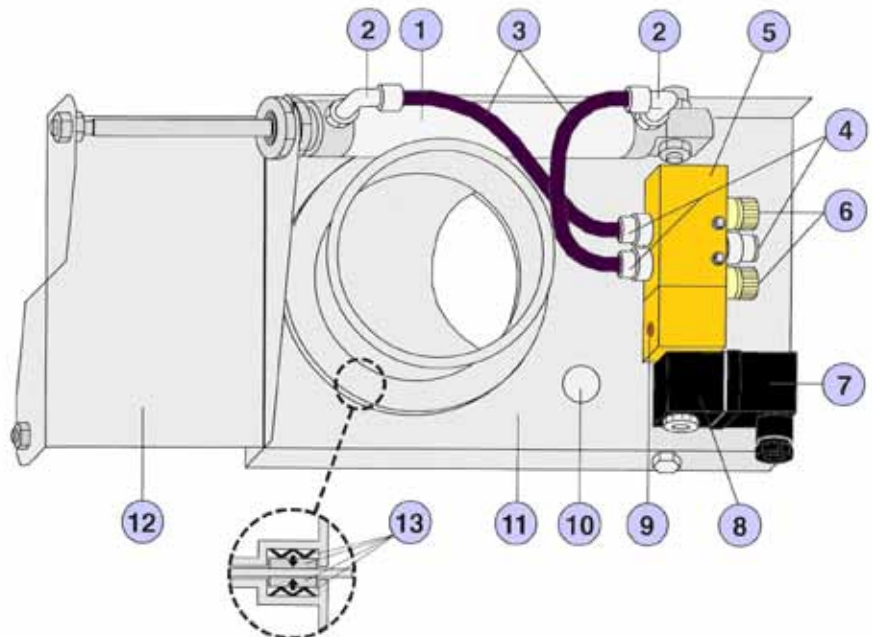
Compressed air supply: 6mm connector "push-in"

Pressure: maximum 120 psi

Operation: Opening and closing speed of the valve can be adjusted with the exhaust throttle.

Pneumatic Blast Gate Parts Breakdown

1. Pneumatic cylinder
2. Swivel connector, 90°, push lock
3. Push lock hose
4. Straight connector, push lock
5. Pneumatic valve, 2 way
6. Exhaust silencers
7. Connector plug with cable gland
8. Coil, 12V DC, 24V AC/DC, 110V AC
9. Manual activation port
10. Opening for position sensor - 12V DC, 24V AC/DC, 110V AC
11. Housing
12. Slide gate
13. Air-tight gasket kit for gate valve



Replacement Valve Gaskets Fit all Gates

PART#	DESCRIPTION	PART#	DESCRIPTION
1502G	2.0" valve gasket	1506G	6.0" valve gasket
1503G	3.0" valve gasket	1508G	8.0" valve gasket
1504G	4.0" valve gasket		

