

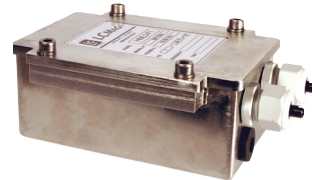


Specification Sheet

HML3-F1 Mag Meter Converter

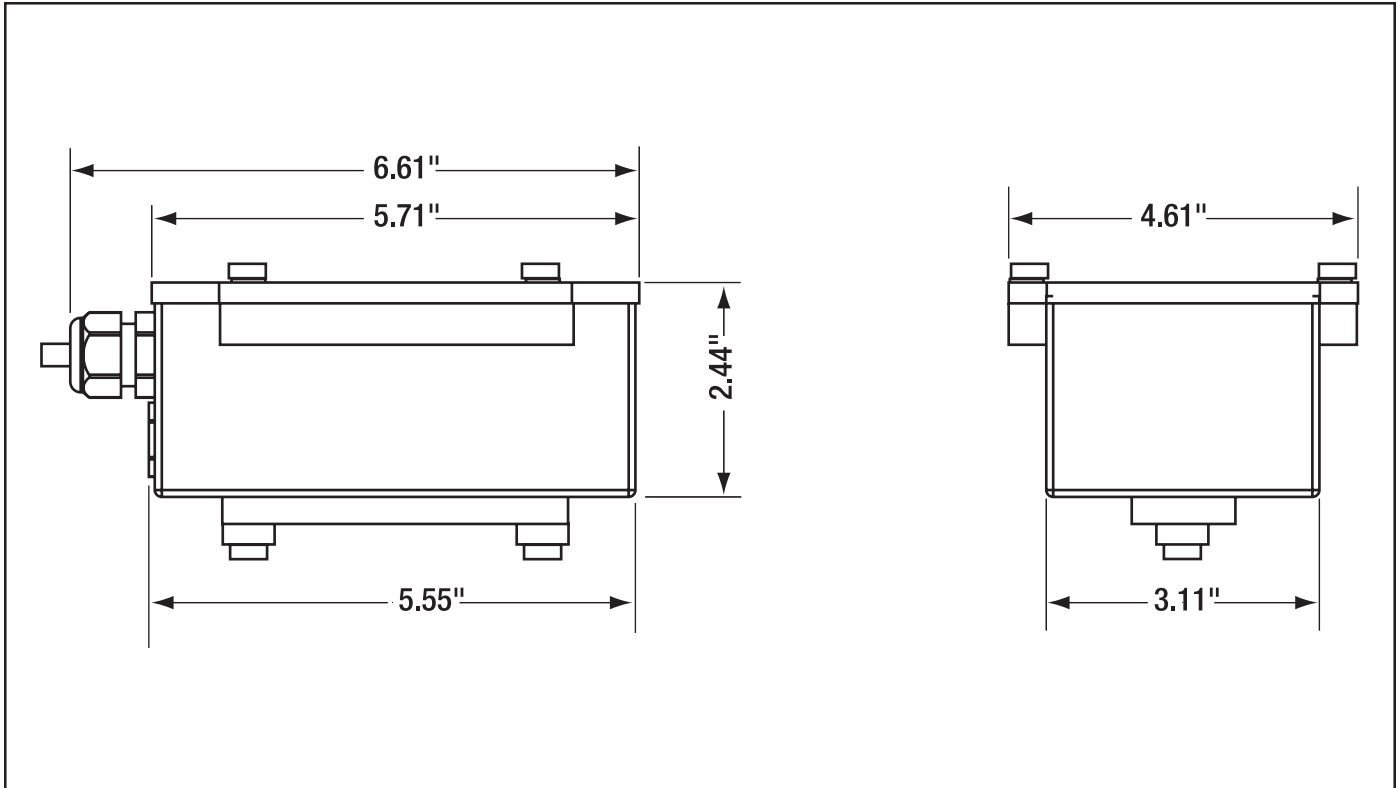


The HML3-F1 is a fast sampling, frequency converter (up to 400 samples per second) for use with HMS501 and HMS2410 flow sensors. The converter is a microprocessor driven unit providing automatic zeroing, EEPROM data protection on loss of power, empty pipe detection, and self diagnostics.



Housing Material	304 Stainless Steel
Protection Rating	IP67
Temperature Rating	-4° to 140°F (-20° to 60°C)
Display	None
Keyboard	None
Pulse/Freq Output	100mA, 40VDC, 1,250, (12,500 Hz optional)
Current Output	0/4-20 mA optional
Serial Output	None
Alarm Output	Programmable
Batch Function	Yes, with auto preset
Bi-Directional Flow	Yes
Empty Pipe Detection	Yes
Programming Input	PC or hand held terminal (HMT200)
Accuracy	±0.2%
Repeatability	0.01%
Power Supply and Consumption	10-33VDC 10W maximum
Sensor Compatibility	HMS501, HMS2410
Panel Mount Option	No

Dimensions



NOTE: Dimensions shown are not for construction use.
Consult factory when certified Engineering Drawings are required.



LIQUID CONTROLS

A Unit of IDEX Corporation
105 Albrecht Drive
Lake Bluff, IL 60044-2242
1.800.458.5262 • 847.295.1050
Fax: 847.295.1057
www.lcmeter.com

© 2005 Liquid Controls
(01/25/05)

