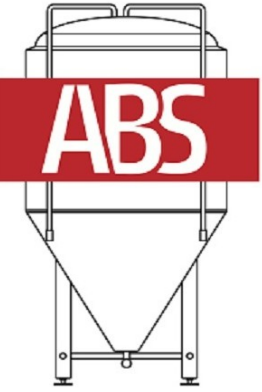
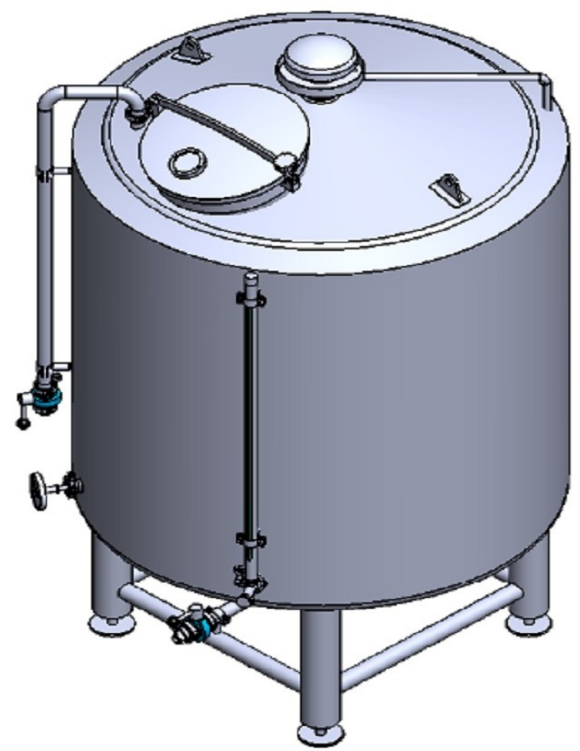
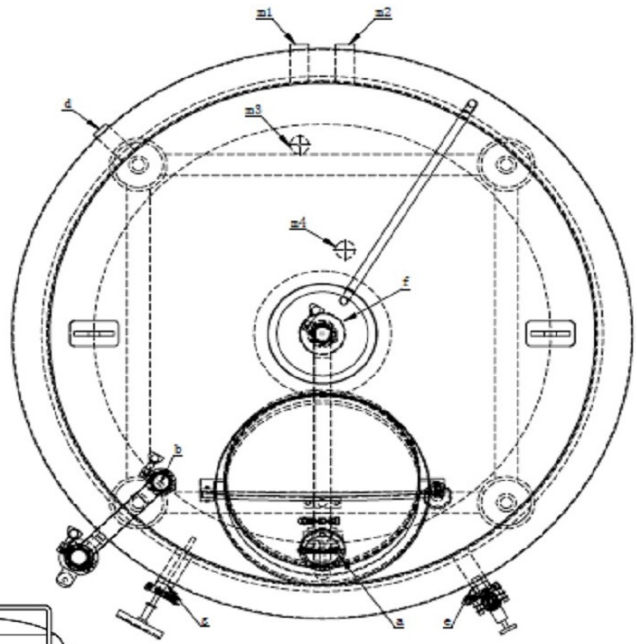


a	Manway	17"
b	Inlet	1.5" Tri-Clamp
c	Outlet	1.5" Tri-Clamp
d	Thermocouple Port	1.5" Tri-Clamp
e	Sight Glass	1.5" Tri-Clamp
f	Vent	
g	Temperature Gauge	1.5" Tri-Clamp
m1-4	Glycol/Steam Ports	3/4" FNPT
n	Condensate Drain	Pipe

Dimensions: 7'0" height 4'6" Diameter, Weight 1200 Lbs.  
 Power Requirements: None  
 Fermenter Control Panel Supplies 24VDC to Glycol Valves or  
 Brew House Control Panel 110V to Steam Valves

Vessel Specifications			
	Unit	Container	Jacket
Working Pressure	PSI		45
Tested Pressure	PSI		60
Temperature Range	F	15-220	15-220
Material		SS304	SS304
Full Volume	BBL		
Rated Volume	BBL	10	
Insulation Material		Polyurethane Foam	
Insulation Thickness	Inch	3 1/4"	
Heat/Cold Transfer Area	Sqf.		63
PRV Actuation	PSI		
Glycol Volume	Gal.		22



**Atlantic Brew Supply**  
 10 Barrel Beer Hot/Cold Liquor Tank  
 Model: HCLT10BBL