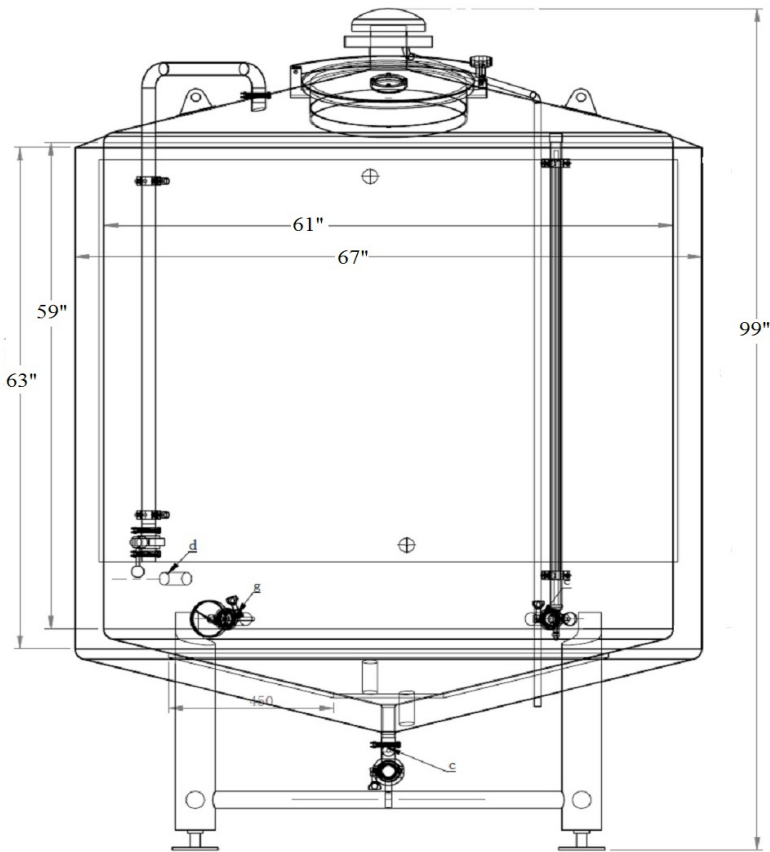
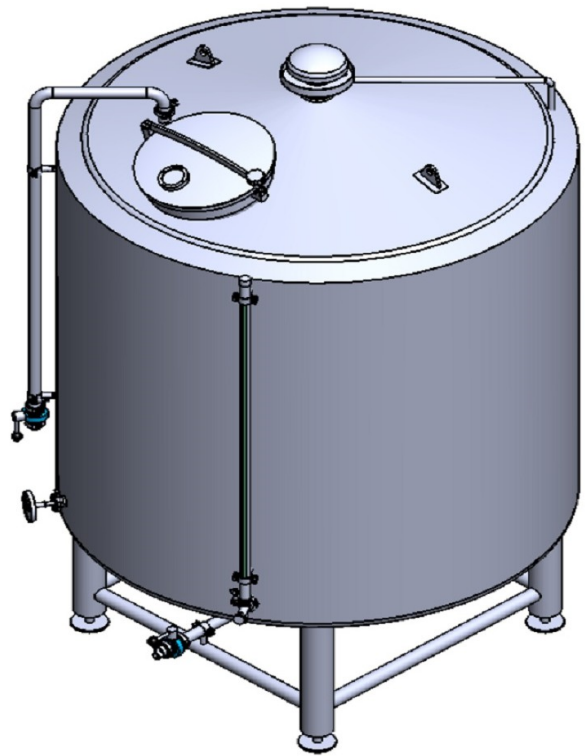
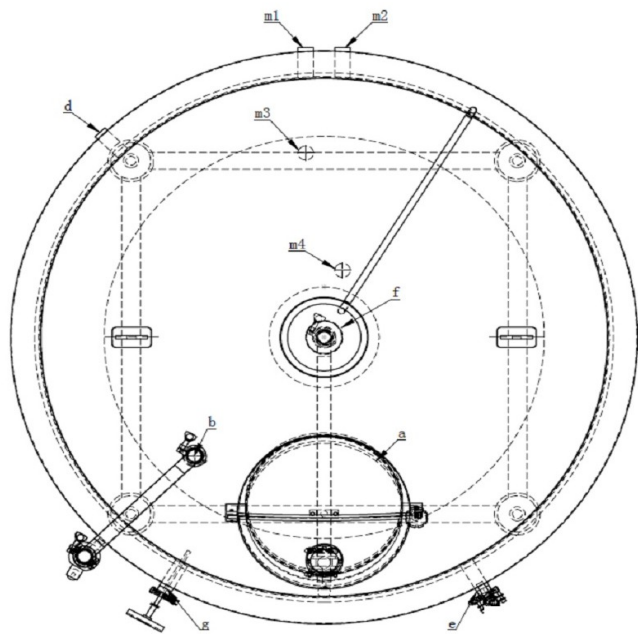


a	Top Manway	17"
b	Inlet	1.5" Tri-Clamp
c	Outlet	1.5" Tri-Clamp
d	Thermo Couple	1.5" Tri-Clamp
e	Sight Glass	1.5" Tri-Clamp
f	Atmospheric Vent	1.5" Tri-Clamp
g	Temperature Gauge	1.5" Tri-Clamp to 1/2"FNPT
m1-4	Steam Ports	3/4" FNPT

Dimension 8'3" Height 5'1" Diameter Weight 1400Lbs
Power Requirements:None



Vessel Specifications			
		Container	Jacket
Working Pressure	PSI		45
Test Pressure	PSI		60
Temperature Range	F	15-220	15-220
Full Volume	BBL		
Rated Volume	BBL	20	
PRV Actuation	PSI		
Heat/Cool Transfer Area	Sqf		63
Insulation Thickness	Inch		3 1/4"
Insulation Material		Polyurethane Foam	
Glycol Volume	Gal.		12



Atlantic Brew Supply
20 Barrel HLT/CLT
Model HCLT20BBL