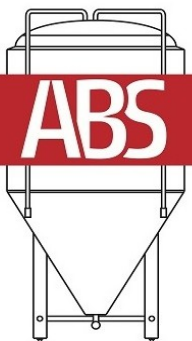
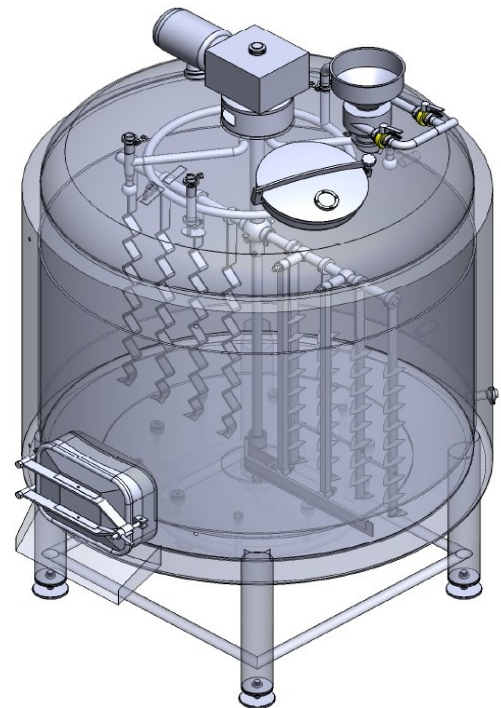
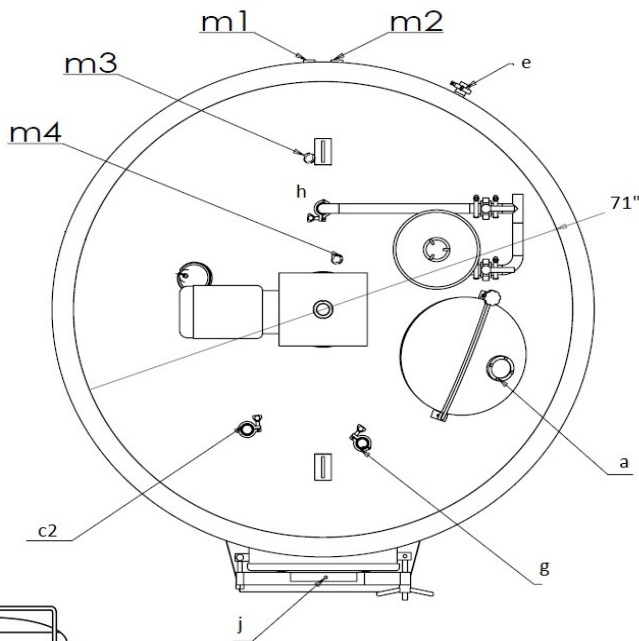


a	Manway	17"
b	Outlet	1.5" Tri-Clamp
C1-2	CIP	1.5" Tri-Clamp
d	Grist Hydrator	4" Tri-Clamp
e	Thermocouple Port	1.5" Tri-Clamp 1/2" FNPT
g	Recirculation Port	1.5" Tri-Clamp
h	Sparge Manifold	1.5" Tri-Clamp
j	Manway	21" X 17"
m1-4	Steam Ports	3/4" FNPT

Dimensions: 9'11" height 6'5" Diameter, Weight 2400 Lbs.
 Power Requirements: Power is supplied from the Brew House control panel. Total Brew House 208-240V 3 Phase 30 Amps.

Vessel Specifications

	Unit	Container	Jacket
Working Pressure	PSI		45
Tested Pressure	PSI		90
Temperature Range	F	15-260	15-260
Material		SS304	SS304
Full Volume	BBL		
Rated Volume	BBL	30	
Insulation Material		Polyurethane Foam	
Insulation Thickness	Inch	3 1/4"	
Heat/Cold Transfer Area	Sqf.		17
PRV Actuation	PSI		
Glycol Volume	Gal.		



Atlantic Brew Supply

30 Barrel Mash/Lauter Tun

Model: ML30BBL