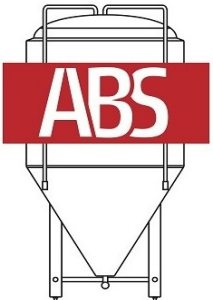
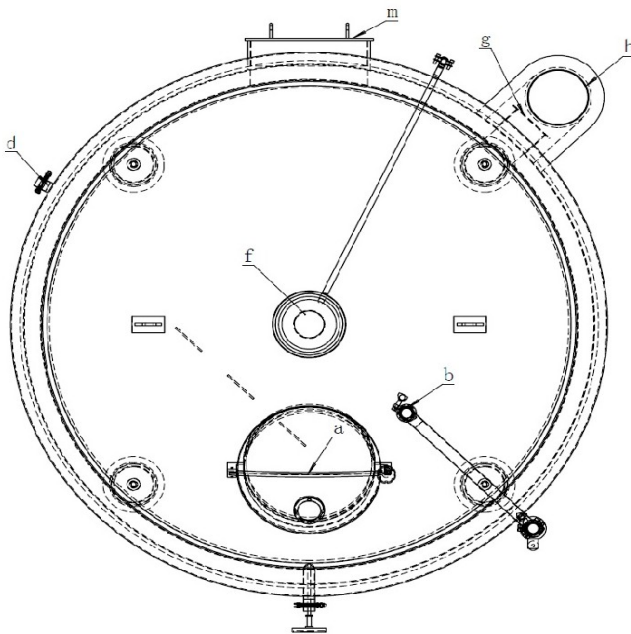
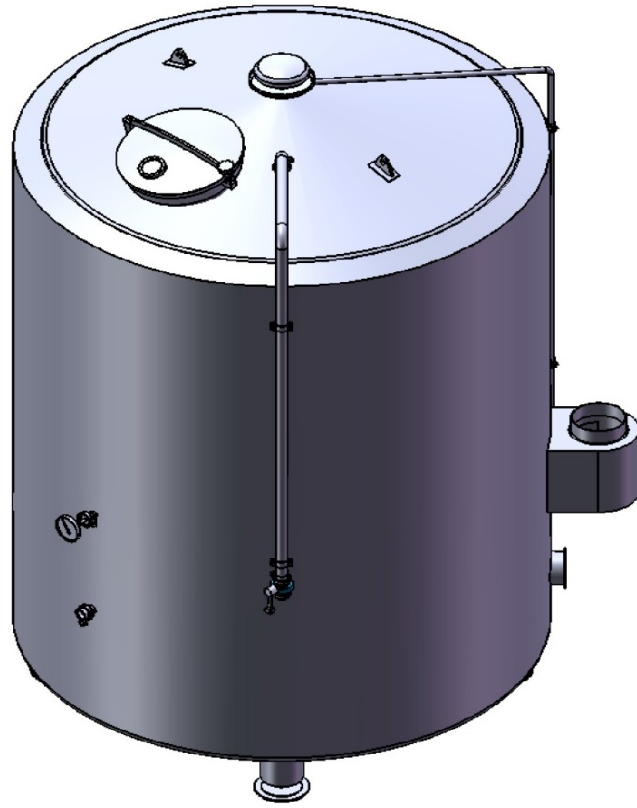
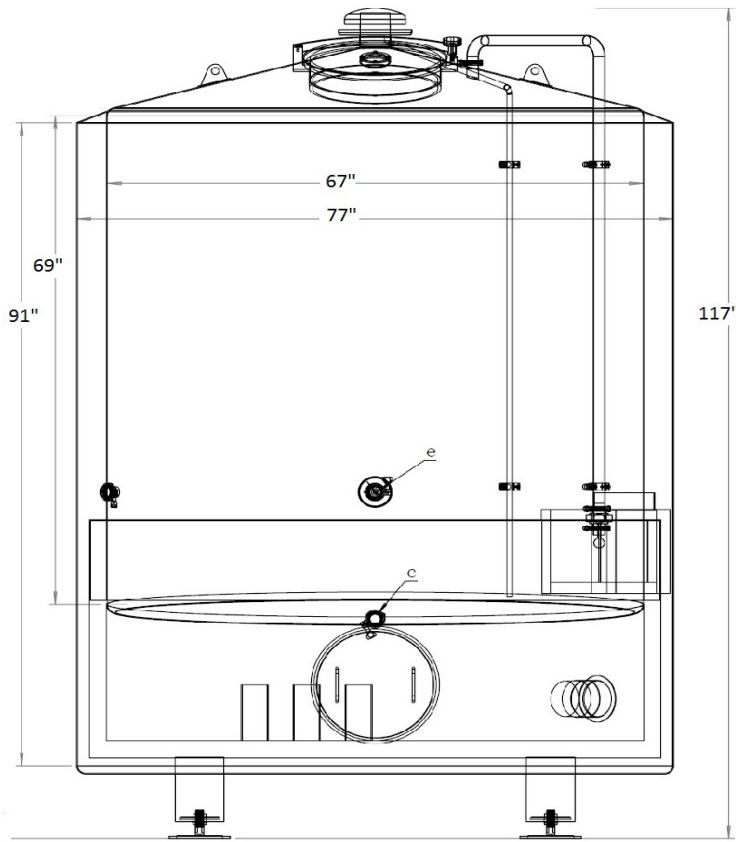


a	Manway	17"
b	Outlet	1.5" Tri-Clamp
c	Inlet	1.5" Tri-Clamp
d	Thermocouple Port	1.5" Tri-Clamp
e	Temperature Gauge	1.5" Tri-Clamp
f	Vent	
g	Burner Port	4" Flange
h	Chimney	8"
m	Clean-Out	

Dimensions: 9'9" height 6'5" Diameter, Weight 2500 Lbs.  
 Power Requirements: Natrual Gas Line  
 Total Brew House 208-240V 3 Phase 30 Amps.

Vessel Specifications			
	Unit	Container	Jacket
Working Pressure	PSI		
Tested Pressure	PSI		
Termerature Range	F	15-260	
Material		SS304	SS304
Full Volume	BBL		
Rated Volume	BBL	30	



**Atlantic Brew Supply**  
 30 Barrel Direct Fired Hot Liquor Tank  
 Model: HLT30BBLDF