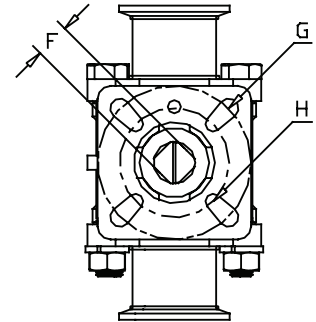
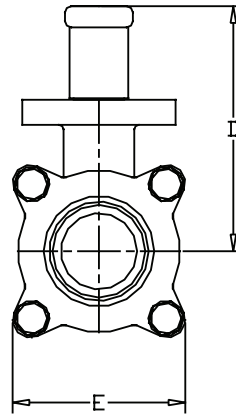
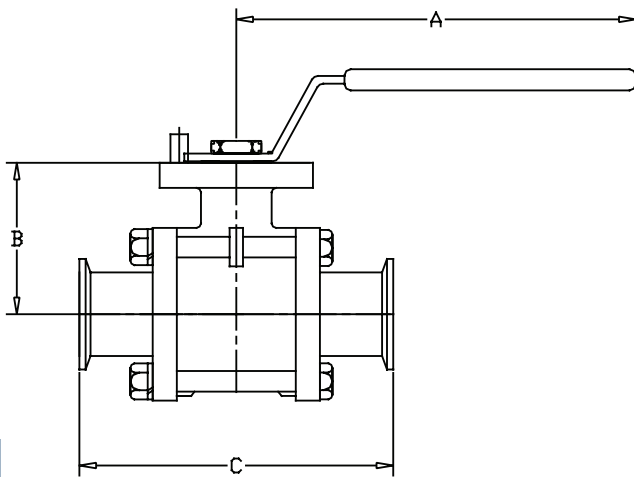


2-Way 3 Piece Encapsulated Ball Valves



Features:

- ½" - 2" rated at **1,000 PSI WOG**; 2½" - 4" rated at 800 PSI WOG
- balanced encapsulated construction minimizes cold flow
- live-loaded stem packing
- precision stainless steel balls reduce torque and friction losses while extending seat life
- lockable handle can prevent accidental actuation
- standard internal entry blow out proof stem design
- full port design matches ball and seat ports to tube ID for lower pressure drop and less turbulent flow
- compact design for areas with tight space restrictions
- fully encapsulated construction produces bubble tight seal
- integral ISO 5211 mounting pad
- ID polish: Ra 32 minimum
- virgin PTFE seats
- for valve seat options, call Dixon™
- identification tagging available
- repair kits available



N

Size	Dimensions								316 Stainless Steel	
	A	B	C	D	E	F (mm)	G	H	Part #	Price/E
½"	4.9"	1.5"	4.3"	3.0"	1.9"	9.0	F04	F03	BV2CV-050CC-A	\$155.20
¾"	4.9"	1.8"	4.7"	3.3"	2.2"	9.0	F04	F03	BV2CV-075CC-A	187.40
1"	5.6"	2.1"	4.9"	3.6"	2.4"	11.0	F05	F04	BV2CV-100CC-A	245.70
1½"	9.5"	2.7"	5.6"	4.4"	3.1"	14.0	F07	F05	BV2CV-150CC-A	414.40
2"	9.5"	3.1"	6.4"	4.8"	3.7"	14.0	F07	F05	BV2CV-200CC-A	599.45
2½"	18.0"	3.8"	7.8"	5.2"	4.8"	17.0	F10	F07	BV2CV-250CC-A	1285.20
3"	18.0"	4.2"	9.0"	5.7"	5.4"	17.0	F10	F07	BV2CV-300CC-A	1696.50
4"	18.0"	5.3"	9.5"	6.8"	8.8"	22.0	F12	F10	BV2CV-400CC-A	2914.80

Dixon™'s commitment to excellence and continuous research and development for improving product quality may warrant periodic changes in design and specification. We reserve the right to modify product design without prior notification and without incurring any liability to provide these modifications to products previously purchased.