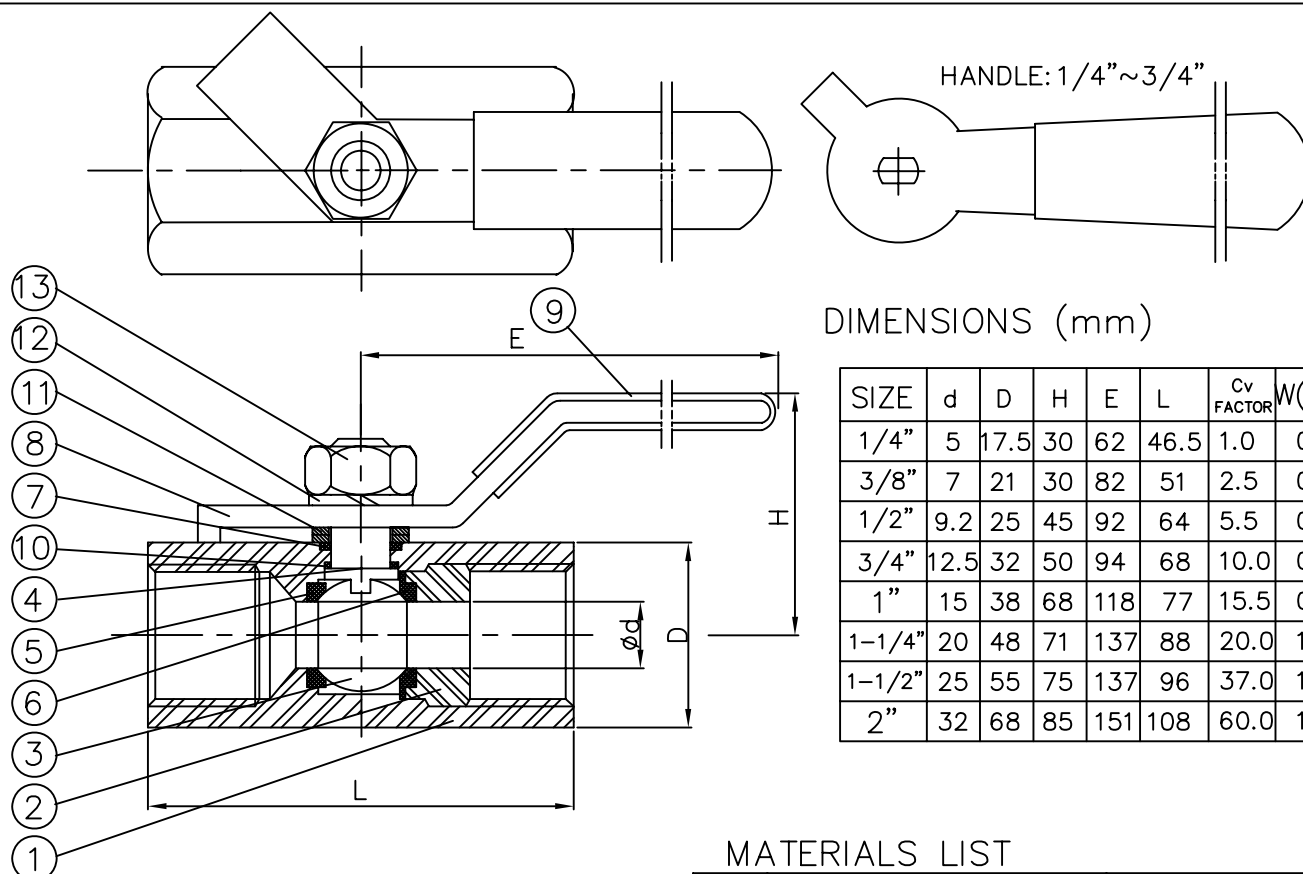


Fig.No. ZT-102 One Piece Hexagon 1000PSI STAINLESS STEEL BALL VALVES – REDUCE PORT

- * For chemical and industrial applications
- * Blow-out-proof stem design
- * 100% tested by air under water, at 100 psi, open and closed positions

SPECIFICATIONS

- * Working Pressure: 1000psi W.O.G
- * Temperature Range: -20 to 450°F
- * End types: Threaded



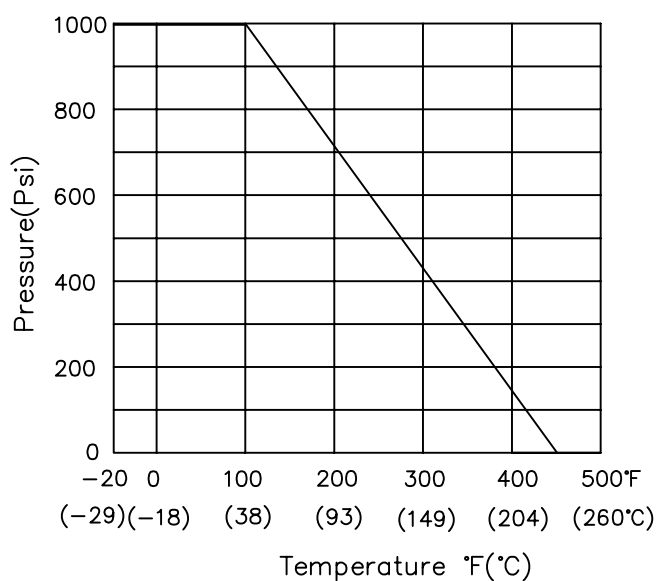
DIMENSIONS (mm)

SIZE	d	D	H	E	L	C _v FACTOR	W(kg)
1/4"	5	17.5	30	62	46.5	1.0	0.08
3/8"	7	21	30	82	51	2.5	0.12
1/2"	9.2	25	45	92	64	5.5	0.21
3/4"	12.5	32	50	94	68	10.0	0.35
1"	15	38	68	118	77	15.5	0.60
1-1/4"	20	48	71	137	88	20.0	1.89
1-1/2"	25	55	75	137	96	37.0	1.23
2"	32	68	85	151	108	60.0	1.97

MATERIALS LIST

NO	PART NAME	SPECIFICATION
1	BODY	ASTM A351 GR.CF8M
2	INSCREWED SEAT RETAINER	S.S.316
3	BALL	ASTM A351 GR.CF8M
4	STEM	S.S.316
5	BALL SEAT	PTFE
6	CAP SEAT	PTFE
7	PACKING	PTFE
8	HANDLE	S.S.304
9	HANDLE SLEEVE	VINYL GRIP
10	THRUST WASHER	PTFE
11	GLAND	S.S.304
12	WASHER	S.S.304
13	HANDLE NUT	S.S.304

PRESSURE TEMPERATURE RATINGS



ZHE THAI MACHINERY CO., LTD.