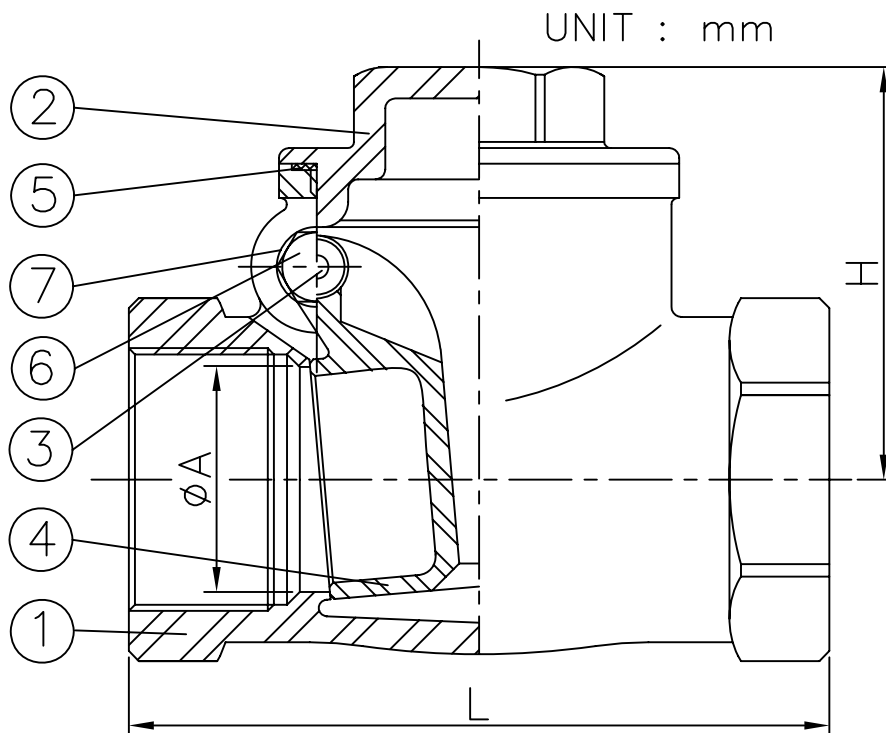


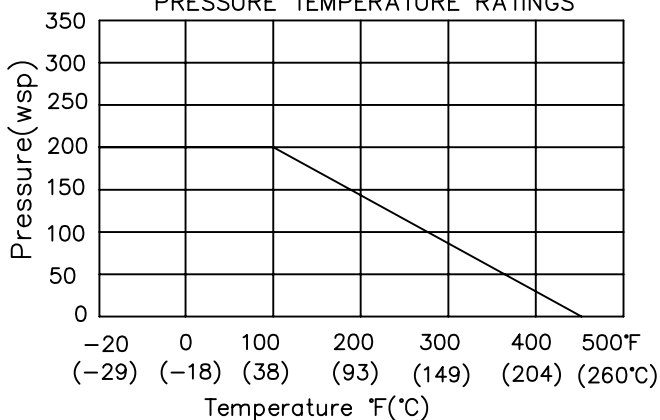
Fig. No. ZT-S200 SWING CHECK VALVES

- * Investment Casting
- * Swing Type
- * Stainless Steel Disc
- * Screwed-In Cap

- * Connecting Threads:
ANSI B2.1
BS21
DIN
- * Working Pressure: 200lb



PRESSURE TEMPERATURE RATINGS



MATERIALS LIST

NO	PART	Q'TY	MATERIAL
1	BODY	1	ASTM A351 GR.CF8M
2	CAP	1	ASTM A351 GR.CF8M
3	HANGER PIN	1	SS316
4	DISC	1	ASTM A351 GR.CF8M
5	GASKET	1	TEFLON
6	PLUG	1	SS316
7	PLUG PACKING	1	TEFLON

SIZE	3/8"	1/2"	3/4"	1"	1 1/4"	1 1/2"	2"	2 1/2"	3"
ϕA	13	15	20	25	32	40	50	65	80
L	65	65	80	90	105	120	140	180	200
H	45	45	56	62	67	73	82	93	104

ZHE THAI MACHINERY CO., LTD.