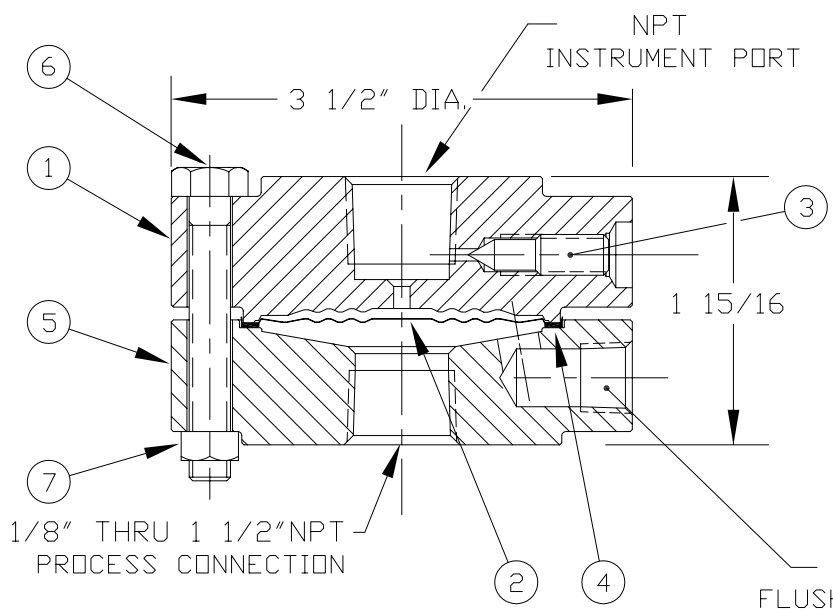


| | | |
|--|------------|----------------------|
| SOLD TO : ULTIMATE CUSTOMER : (IF AVAILABLE) | | P.O. # : P.O. # : |
| AMETEK NO. : | DRW. TO : | CUST. SPEC. NO. : |
| ORDER ITEM NO. : | QUANTITY : | FILL FLUID : |



| DESCRIPTION | QTY. |
|--|------|
| ① TOP | 1 |
| ② DIAPHRAGM | 1 |
| ③ FILLING SCREW | 1 |
| ④ GASKET | 1 |
| ⑤ BOTTOM | 1 |
| ⑥ SCREW, 5/16-18 HEX. HD. CAP SCR. (OPTIONAL 15 SCREWS FOR EXTRA BOLTING) | 8 |
| ⑦ NUT, STAINLESS STEEL | 8 |

2500 PSI @ 100° F
 OPTIONAL 5000 PSI @ 100° F
TYPE SG

INSTRUMENT DESCRIPTION

- INSTALLATION : - CONNECT ASSEMBLED SEAL TO STANDARD MALE NPT PIPE THREAD USING A STRAP WRENCH.
- OPERATION : - WHEN CLEANING IS REQUIRED REMOVE SCREWS PART #6, TOP PART #1 (CALIBRATED UNIT) AND GASKET PART #4.
 - CLEAN AND REINSTALL - USING NEW GASKET.
- CAUTION : - DO NOT LOOSEN INSTRUMENT OR FILLING SCREW PART #3, AS LOSS OF LIQUID FILL WILL RESULT AND RECALIBRATION WILL BE NECESSARY.

DRAWING CERTIFIED CORRECT,
 DATE :

AMETEK

| | | | | | | | | |
|--|--------------------------|------------------|---|--|--|--|------------|--|
|  | AMETEK | | TEST AND CALIBRATION INSTRUMENTS DIVISION | | | | LARGO, FL. | |
| | CODE IDENT. NO. 92456 | REVISION DATE | A 05/29/98 | | | | | AMETEK DIAPHRAGM SEAL TYPE SG DATA AND INSTRUCTION SHEET DRAWING NO. : SK-5206 |

| | | | | | | | | |
|--------------------------|------------------|---------------|--|--|--|--|--|--|
| CODE IDENT. NO. 92456 | REVISION DATE | A 05/29/98 | | | | | | AMETEK DIAPHRAGM SEAL TYPE SG DATA AND INSTRUCTION SHEET DRAWING NO. : SK-5206 |
|--------------------------|------------------|---------------|--|--|--|--|--|--|