

# MaxiMax Cooling Counter

**Depth: 690 incl. door**

Models: MM1600 / MM2000 / MM2150 / MM2550 / MM2700 / MM3100



# Congratulations!

## You made a good choice.

Thank you for buying this perfect „MaxiMax Cooling Counter“. This cooling unit was made on the most modern production way.

The full-foamed housing guarantees a low energie consumption.

This operating instruction shall give you some details for the perfect use of your cooling counter. If you have further questions, please contact your cooling specialist.

## Table of contents

1. Mounting instruction (general) .....	3
2. Installation .....	3
<i>Integral Models</i>	
<i>Remote Models</i>	
3. Energie saving / environmental protectio .....	3
4. Digital controller .....	4
<i>Setting the temperature</i>	
<i>Keypad lock</i>	
<i>ON and OFF</i>	
5. Defrost .....	5
6. How to change the bulbs .....	5
7. Cleaning .....	6
8. Maintenance contract .....	6
9. Important facts .....	6
10. Trouble shooting .....	7
11. Electrical sketch .....	9
12. EG-Declaration of Conformity .....	11

# 1. Mounting instruction – general

- Place your counter on their right place by water level!

## ATTENTION!

**After adjusting the counter feets, please press, the foamed plug and the plastic plug into the holes! This enshures a better insulation.**

# 2. Installation

## Integral Models

- If your cooling counter ist mounted ready to plug in, please put the plug into the socket. The current has to be the same as on the Type button.
- Before using, please clean the inside of the housing.
- The digital controller shows the actual temperature of the housing, the ventilator works permanent. The cooling machine works immediately and cooles down, until the temperature of +4 °C is reached.

## Remote Models

- If the condenser ist preinstalled, we recommend the following aspects!
- At installation, please use a pump down system for 3 (max. 4) cabinets per compressor.
- The preferred cooling capacity must be 150 Watts for the 1st cabinet, 100 Watts for each following cabinet.
- For bigger combinations please use further separate compressors or a combined bigger system in realtion with the energy consumption or safety-aspects.

# 3. Energie saving – environmental protection

- Open the doors only as long as nessessary.
- Please check regular the seals of the doors.
- A wasted condenser causes a higher energy consumption. Please clean them regular as described under point „Cleaning of the condenser“.
- Please avoid high outside temperatures, direct sun-burning or placement by a radiator, wich causes a higher energie consumption.

## 4. Digital controller LAE AT 1-5



### Setting the temperature

- 1 Press button for at least half second, to display the setpoint value.
- 2 Use or for changing the temperature.
- 3 Release all buttons and wait 10 sec.

### Keypad lock

- 1 Use and immediately release button ⇒ **E I** will be displayed.
- 2 Press once ⇒ **LOC** will be displayed.
- 3 please keeping pressed.  
Activating / Deactivating: Push the buttons or ⇒ **YES / NO**
- 4 Release all buttons and wait 10 sec.

### ON and OFF

- 1 Press button for at least 3 seconds ⇒ **ON** will be displayed.
- 2 For switch off, press button for at least 3 seconds.

## 5. Defrost

- The defrosting works automatically all three ours. The cooling device stands still for 12 minutes. The display of the digital controller changes to „DEF“ (defrost). The display changes to temperature scetch, if the recommended temperature is reached or if 10 minutes are gone.
- During the defrosting is a minimal rise of the temperature inside the housing possible. The core temperature of the cooling goods will not be affected.

## 6. How to change the bulbs

**First of all and very important: Please unplug the cable.**

- 1 Then screw off the cover sheets right and left from the illumination with a Phillips screwdriver.
- 2 Then move the complete casing to the left and remove it out of the counter.
- 3 Remove the transparent cover by pressing it lightly together.
- 4 Then change the bulb by turning it to the left.



**Now you can forward to replace all parts into position.**

## 7. Cleaning

**Please clean the cooling device minimum 1 time per month.**

- 1 Open the machine housing with the included tooling.
- 2 Pull the plug out of the socket.
- 3 Clean the condenser with a broom or a vacuum cleaner.
- 4 Clean the machine case with a moist duster.
- 5 Put the stick into the socket and close the machine housing.
- 6 If necessary please clean the fronts and grips with clean water.

For the cleaning of the inside of the housing don't take aggressive cleaners, only neutral, disinfective cleaners. Dry up the inside of the housing, to avoid an higher energy consumption as a result of frosting of the condenser.

## 8. Maintenance contract

- We recommend a maintenance contract with your cooling specialist.
- If you need any spare parts, please contact also your cooling specialist.

## 9. Important facts

- Mounting and connection of a dispensing system has to be made only by an expert, who will inform you about all facts on operating a dispensing system.
- We recommend for the installation of the water connections to contact a sanitary specialist.
- Pay attention on the right placement of the counter. The ventilation of the housing must be served!
- Noise of the cooling machine are unavoidable.
- By a longer time of none using the counter, please pull the plug and open the doors for avoiding a stink.
- If you want an other arrangement of your counter, please contact your cooling specialist.
- Pay attention, that the following load-carrying capacities have not be broken:
  - Drawer modul (if installed) max.: 45 kg
  - Shelf for bottles inside the door modul: max. 75 kg each.

## 10. Trouble shooting

- At eventually delay, please check first by using the following list, if you have all, in these operating instruction noted facts payed attention.
- If it's not possible to repair the delay, please contact your authorised cooling specialist.

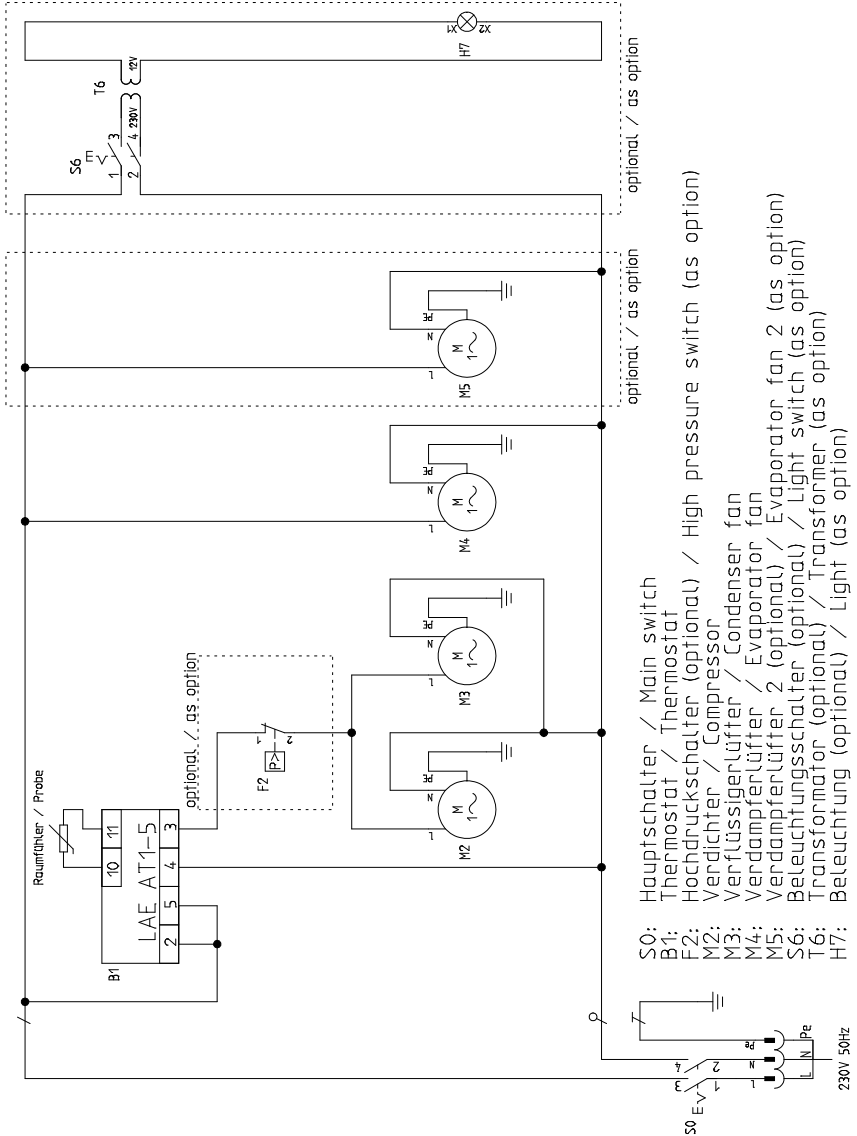
Fault	Possible cause	Find a remedy
Rattling noise	Loose screw connections or worn bearings	Contact your distributor
Display is not running	No voltage	Put the plug into the socket, controll the fuse
Mainswitch is not glowing	Mainswitch may be OFF	Check the contacts on the controller (el. know-how is recommended)
Display shows „DEF“	Defrost mode	Wait until defrost is finished (max. 15 min), in case of demand, please ask your authorised technician to change the spacings
Temperature inside the cabinet is to high	The controller may be wrong adjusted	Modify the set point of the controller
	The evaporator is not ventilated sufficiently	Control and cleaning of the evaporator (pull the plug out of the socket)
	Door gaskets are leaking	Change the door gaskets
	Evaporator fan is damaged	Change the fan (el. know-how is recommended)
	The cooling device is damaged	Repair by an authorised technician
	Doors or drawers are opened to long	Only open the doors as long as really nessessary
	The icing of the evaporator is to much	Correction of spacings and time of the defrost mode (el. know-how is recommended) Remove the wet or not enough covered reefer

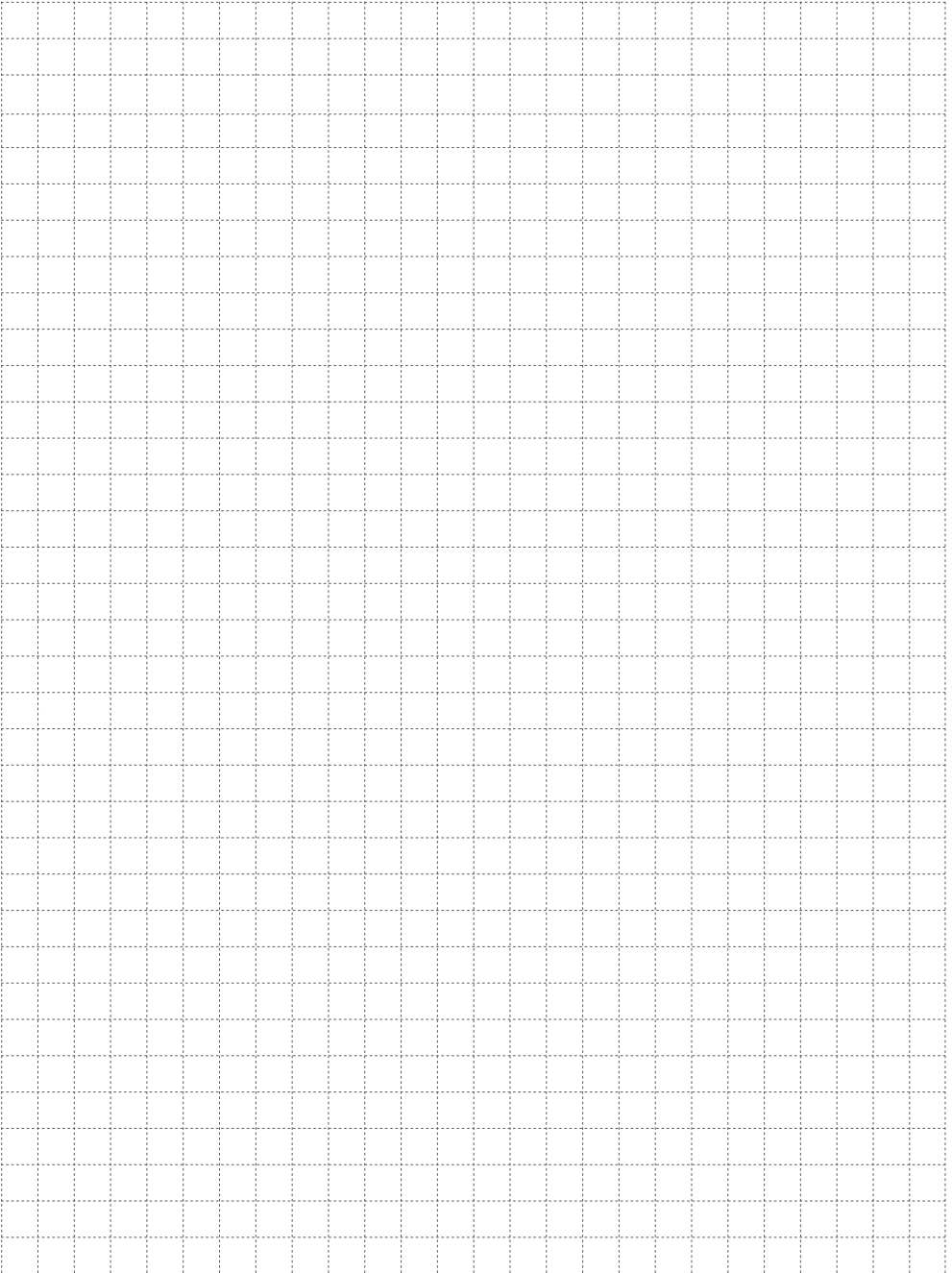
Temperature inside the cabinet is to low	The controller may be wrong adjusted	Modify the set point of the controller
Display shows „E1“	Fault on the thermometer probe	Check the contacts on the back of the controller (el. know-how is recommended).
		Change the probe (el. know-how is recommended).

- Please close the doors until your cooling specialist check the delay. Dont put new cooling goods into the counter.
- Dont try to repair the defect by yourself, if it's not possible by the list on the left side. Otherwise the defect will become bigger than before and it may be dangerous if there ist a defect on the electrical parts.



# 11. Electrical sketch





## 12. EG-Declaration of Conformity

(Directives 2004/108/EC + 2006/95/EC + 2006/42/EC)

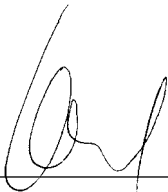
Herewith we declare that the machinery mentioned below corresponds to the basic EEC directives for security and health demands on the basis of its conception and model, as well as of the type that we brought in circulation.

**This declaration loses its validity in case of modification of the machinery to which we did not agree.**

Relevant EC Directives:	EC Machinery Directive EC Low Voltage Directive EC Directive for Electromagnetic Compatibility
-------------------------	--

Applied harmonized standards:	EN 55014-1:2006+A1:2008 EN 55014-2:1997+A1:2001+A2:2008 EN 62233:2008 EN 61000-3-2:2006 EN 61000-3-3:1995+A1:2001+A2:2005 EN 60335-1:2002+A1:2004+A11:2004
Applied national standards and technical specifications:	Pressure Equipment Directive 97/23/EC 29.04.1997, VDE 0100, DIN 8975, UVV, VGB 20

Manufacturer:



Klaus Holland  
Managing director

K. & M. Holland GmbH  
Industriestr. 14  
94327 Bogen  
Tel.: 09422 / 507-0  
Fax: 09422 / 507-300



Juice Dispensers



Cocktail Counters



Mobile Bars



Big Volume Refrigerators

KEG Coolers



Your distributor: