

# Waste disposal coolers

For 1 up to 3 waste containers (120 or 240 l)

- Ramp to fold out
- Lockable as standard
- Incl. cooling unit
- Winter control incl. oil heating for outdoor application

The legislator prescribes a separated collection of organic waste (kitchen waste, leftovers and so on). For the prohibition of putrefaction, this waste should be stored refrigerated. The storage should take place in a room that has been provided especially for waste refrigeration.



# Specification – Waste disposal coolers

## Cooling corpus

- Insulation: foamed in one piece, 56 mm thick, thermal bridge free manufacturing of the whole corpus
- Construction CN: bottom-, side-, back-, and ceiling panels in stainless steel
- Construction VZ: bottom panel in sheet steel, special coated, grey (N2PVA burlud); side-, back-, and ceiling panel in galvanized sheet steel
- Quick and easy mounting with inside connectors
- Adjustable feet 8 up to 30 mm
- Ramp to fold out

## Usable capacity

- 1, 2 or 3 waste containers (240 / 120 l), opening on top

## Door

- Lockable as standard
- Easy replaceable door gasket

## Application

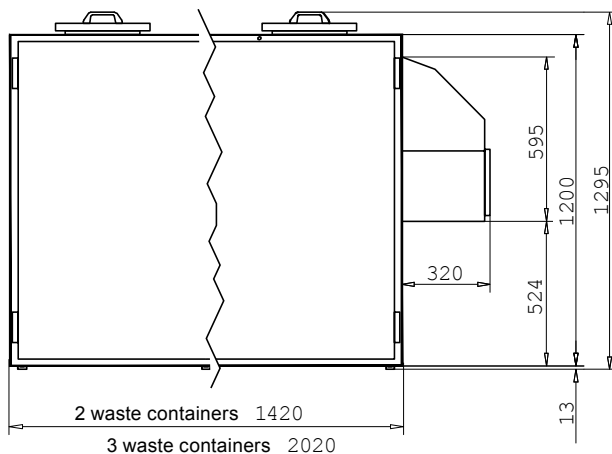
- Basement
- Storage room
- Outside area (only to use under a roof and with winter control incl. oil heating)

## Cooling unit

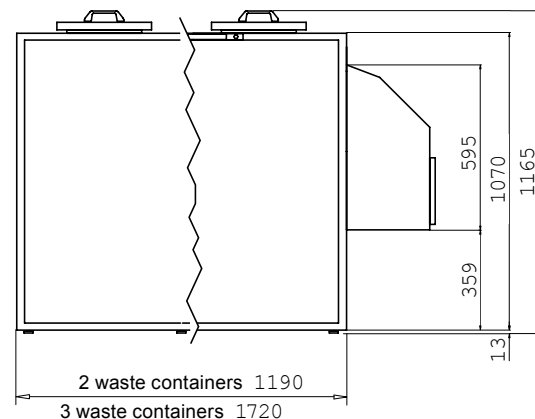
- Cooling unit at the side, powerful, fully hermetically, thermostatic controlled cooling units with the refrigerant R134a
- KC1420 and KC2020 are also with cooling unit on top available (on request)
- Cooling capacity 500 W ( $t_0 = -10\text{ °C}$ )
- Digital controller with automatic defrost
- Temperature display
- Condensate evaporation 220/230 V / 50 Hz

Waste disposal coolers 1420/2020 are also with cooling unit on top available instead of cooling unit at the side

Drawing – Waste containers with 240 l



Drawing – Waste containers with 120 l



# Waste disposal coolers for 240 l waste containers

## For 1 waste container 240 l

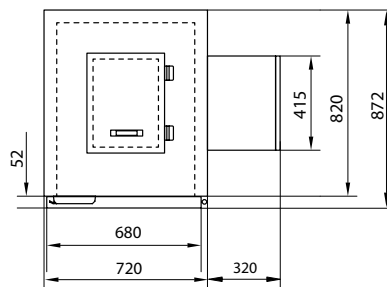
Length: 1040 mm incl. integral cooling unit at the side STFSEIT

Quick and easy mounting with inside connectors

VZ = Galvanized sheet steel

CN = Stainless steel

KC720VZ 2.190,00 €	KC720CN 2.620,00 €
--------------------	--------------------



## For 2 waste containers 240 l

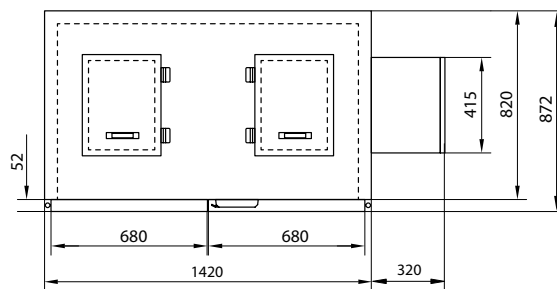
Length: 1740 mm incl. integral cooling unit at the side STFSEIT

Quick and easy mounting with inside connectors

VZ = Galvanized sheet steel

CN = Stainless steel

KC1420VZ 2.450,00 €	KC1420CN 2.880,00 €
---------------------	---------------------



## For 3 waste containers 240 l

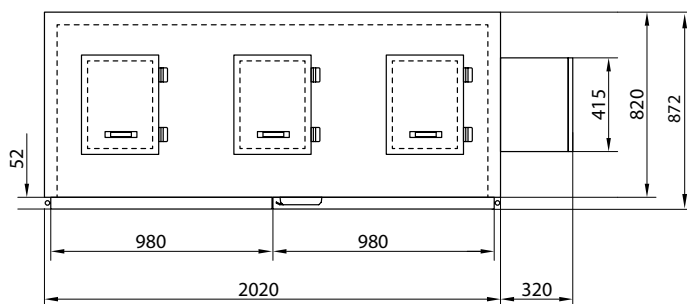
Length: 2340 mm incl. integral cooling unit at the side STFSEIT

Quick and easy mounting with inside connectors

VZ = Galvanized sheet steel

CN = Stainless steel

KC2020VZ 2.870,00 €	KC2020CN 3.300,00 €
---------------------	---------------------



## Options

KCW	Cooling unit with winter control incl. oil heating	400,00 €
KCEIN	Media chute for the usage of waste containers à 120 l in waste disposal cooler for waste containers à 240 l	210,00 €

KC720



KC1420



KC2020



# Waste disposal coolers for 120 l waste containers

## For 1 waste container 120 l

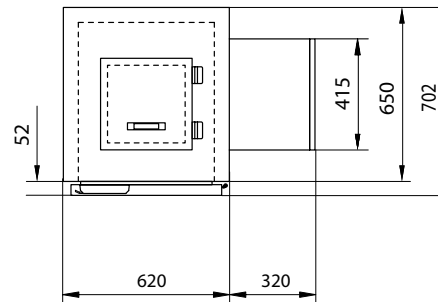
Length: 940 mm incl. integral cooling unit at the side STFSEIT

Quick and easy mounting with inside connectors

VZ = Galvanized sheet steel

CN = Stainless steel

KC620VZ 2.160,00 €	KC620CN 2.590,00 €
--------------------	--------------------



## For 2 waste containers 120 l

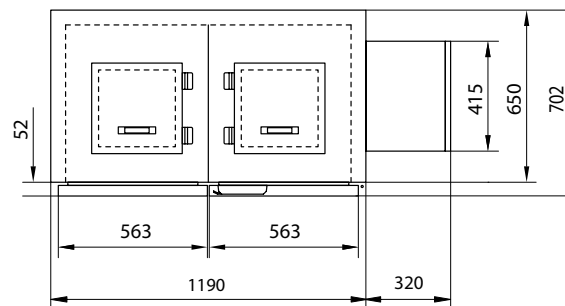
Length: 1510 mm incl. integral cooling unit at the side STFSEIT

Quick and easy mounting with inside connectors

VZ = Galvanized sheet steel

CN = Stainless steel

KC1190VZ 2.400,00 €	KC1190CN 2.830,00 €
---------------------	---------------------



## For 3 waste containers 120 l

Length: 2040 mm incl. integral cooling unit at the side STFSEIT

Quick and easy mounting with inside connectors

VZ = Galvanized sheet steel

CN = Stainless steel

KC1720VZ 2.810,00 €	KC1720CN 3.140,00 €
---------------------	---------------------

