

Robust portal trailer with double-sided loading options

Ergonomic operation

High energy efficiency with electrical connection

'Push through' of the load to unload under the portal bar (optional)

High level of directional stability with all-wheel steering (optional)



GTP 110/210/216

Trailer (1,000/1,600 kg)

Our GTP portal trailers guarantee the flexible, cost-effective transportation of loads with a capacity of up to 1600 kg per trailer. The opportunity to pick up and off-load trailers from both sides give a flexible solution for all operations.

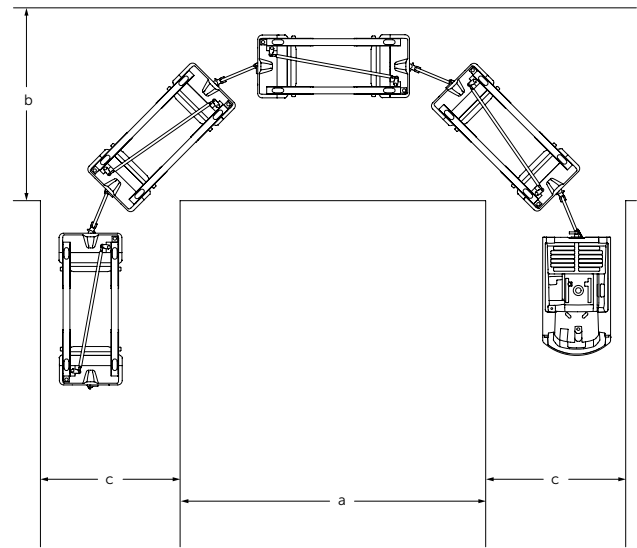
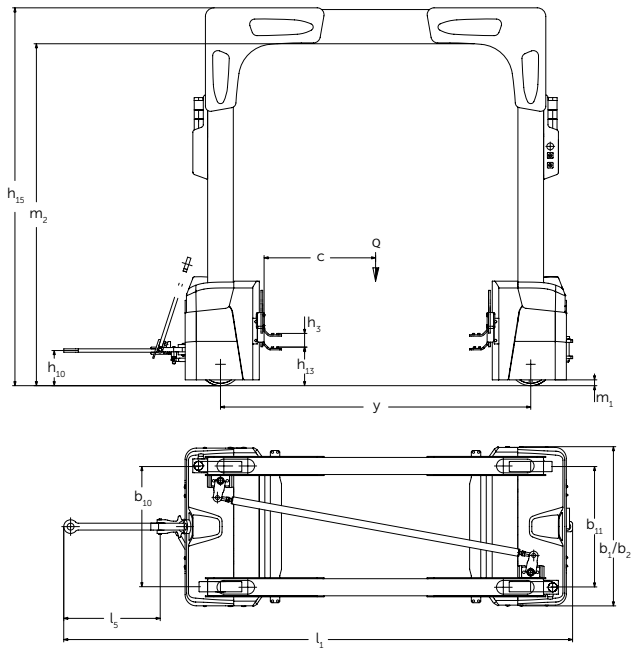
The portal trailers are available with two steering systems: Either with a simple steering/fixed castors principle or with a directional stability system for narrow spaces with simultaneous steering of all wheels.

Loading and unloading is precisely and quickly controlled using buttons for lifting and lowering. To unload, the trailer is lowered

then manually pushed through the portal frame. Portal heights of 1.60 metres (standard) and 2 metres (optional) enable you to adapt the system to your individual needs.

The trailers are electrically connected, thereby providing the best conditions for easy, reliable and efficient operation. A high level of energy efficiency is guaranteed by the energy conversion directly in the trailer.

GTP 110/210/216



model GTP	Pallet size [mm]	Number of trailers	Length without tow tractor [mm]	a [mm] (without oncoming traffic, EZS 350)	smallest turning circle 2xW _a	U-turn		90° curve	
						b [mm] (without counter-traffic, EZS 350)	c [mm] (EZS 350)	b [mm] (without counter-traffic, EZS 350)	
110	800	2	5100	2000	5800	5700	2000	3200	
110	800	3	7650	2000	6100	5900	2000	4000	
110	800	4	10200	2000	6600	6300	2000	4600	
110	1000	2	5100	2200	5800	5400	2000	3200	
110	1000	3	7650	2200	6100	6000	2000	4000	
110	1000	4	10200	2200	6600	6200	2000	4600	
210/216	800	2	5800	2000	5100	2700	2000	2100	
210/216	800	3	8700	2000	5300	3000	2000	2500	
210/216	800	4	11600	2000	5400	3300	2000	2600	
210/216	1000	2	5800	2200	5100	2500	2000	2200	
210/216	1000	3	8700	2200	5300	2900	2000	2400	
210/216	1000	4	11600	2200	5500	3300	2000	2600	

Technical data

				Jungheinrich					
Identification	1.1	Manufacturer (abbreviation)							
	1.2	Model							
				GTP 110	GTP 110	GTP 210	GTP 210	GTP 216	GTP 216
				800 x 1200	1000 x 1200	800 x 1200	1000 x 1200	800 x 1200	1000 x 1200
	1.5	Load capacity/rated load	Q t	1	1	1	1	1.6	1.6
	1.6	Load centre distance	c mm	652					
	1.7	Rated tractive power	F N	1,280 ¹⁾	1,280 ¹⁾	1,340 ¹⁾	1,340 ¹⁾	1,820 ¹⁾	1,820 ¹⁾
	1.9	Wheelbase	y mm	1,851	1,851	1,814	1,814	1,814	1,814
Weights	2.1	Service weight	kg	600	600	670	670	680	680
	2.2	Axle load with load front/rear	kg	800 / 800	800 / 800	835 / 835	835 / 835	1,140 / 1,140	1,140 / 1,140
	2.3	Axle load without load front/rear	kg	300 / 300	300 / 300	335 / 335	335 / 335	340 / 340	340 / 340
Wheels / frame	3.1	Tyres		Vu					
	3.2	Tyre size, front	mm	Ø 250 x 60					
	3.3	Tyre size, rear	mm	Ø 250 x 60					
	3.5	Wheels, number front/rear (x = driven wheels)		2 / 2					
	3.6	Tread width, front	b ₁₀ mm	730	730	700	700	700	700
3.7	Tread width, rear	b ₁₁ mm	730	730	700	700	700	700	
Basic dimensions	4.2.1	Total height	h ₁₅ mm	1,815 ⁴⁾					
	4.4	Lift	h ₃ mm	80					
	4.12	Coupling height	h ₁₀ mm	205					
	4.15	Height, lowered	h ₁₃ mm	220					
	4.17	Overhang length	l ₅ mm	640	640	564	564	564	564
	4.19	Overall length	l ₁ mm	2,920	2,920	2,975	2,975	2,975	2,975
	4.21	Overall width	b ₁ /b ₂ mm	922	1,122	922	1,122	922	1,122
	4.32	Ground clearance, centre of wheelbase	m ₂ mm	0 ²⁾					
4.38.4	Pallet width	mm	800	1,000	800	1,000	800	1,000	
Performance data	5.1	Travel speed, laden/unladen	km/h	8.5 / 12 ³⁾					
	5.2	Lift speed, laden/unladen	m/s	0.03 / 0.03					
	5.3	Lowering speed, laden/unladen	m/s	0.03 / 0.03					
	5.7	Gradeability laden/unladen	%	10 / 10					
	5.10	Service brake		none					
Electrics	6.2	Lift motor	W	2x / 880					
	6.4	Battery voltage/nominal capacity K5	V/Ah	24 / 0					
Misc.	8.4	Sound pressure level at operator's ear as per EN 12053	dB (A)	70					
	8.5	Trailer coupling, model/type DIN		Tiller	Tiller	Plug coupling	Plug coupling	Plug coupling	Plug coupling

¹⁾ A maximum of 4 trailers are recommended per train.

²⁾ Ground clearance centre of wheelbase (m₂) under portal bar 1600 mm (optional 2000 mm). Maximum load height under portal bar 1400 mm incl. trolley (optional 1800 mm).

³⁾ Maximum permissible speed for trailers. Actual speed is dependent on load and tow tractor.

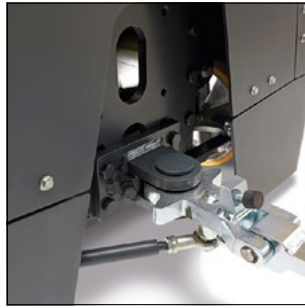
⁴⁾ Optional 2215 mm.

In accordance with VDI Guideline 2198 this specification sheet provides details of the standard truck only. Non-standard tyres, different masts, optional equipment, etc. may result in different values.

Benefit from the advantages



Electrical connection for trailers.



All-wheel steered frame (optional) for excellent directional stability.



The portal design allows loads to be pushed out.



Lifting and lowering via buttons at an ergonomic height.

Electrical connection of trailers

The portal trailers are electrically connected in order to transfer the necessary energy for lifting and lowering.

- High level of efficiency with excellent energy management.
- Fast, quiet lifting and lowering.
- Easy and clean connection. The coupling is via just an electrical connector.
- No additional power unit required in the tow tractor.
- Low energy consumption.

Comfortable and safe operation

- Simple coupling system for connecting the trailers with good directional stability.
- All-wheel steered frame (GTP 210/216) for excellent directional stability.

Optimum ergonomics for efficient work

- Lifting and lowering via buttons at an ergonomic height.
- Lift status displayed via differently coloured lights (optional).
- Heavy loads are pushed out of the GTP via the portal construction. This is more ergonomic and gentle on the back than pulling it out.

Rugged construction for tough applications

- Frame manufactured from high quality sheet steel.
- Design for 1000 kg and 1600 kg loads.
- Optional portal heights of 1600 mm and 2000 mm (optional).
- Suitable for load aids with dimensions of 800x1200 mm and 1000x1200 mm.
- Suitable trolleys available in all sizes.

Reduced costs due to energy-efficient operation

- Energy is only ever used in the individual trailer in which the load is lifted/lowered. Loads therefore remain in the raised position when the trailer stops to save energy.
- The conversion of the energy directly in the trailer minimises losses and ensures optimum energy utilisation.

Maintaining an overview at all times

A comprehensive instrument display allows a complete operational overview at all times:

- Traffic light display (optional) for lift function.
- Clear view from tow tractor of the entire train due to the portal bar.

Additional equipment

- Extensive accessories for individual tailoring to your requirements.

Jungheinrich Aktiengesellschaft

Friedrich-Ebert-Damm 129
D-22047 Hamburg
Telephone +49 40 6948-0
Telefax +49 40 6948-1777

info@jungheinrich.com
www.jungheinrich.com

The German production facilities in Norderstedt, Moosburg and Landsberg are certified. **ISO 9001**
ISO 14001

Jungheinrich fork lift trucks meet European safety requirements.



JUNGHEINRICH
Machines. Ideas. Solutions.