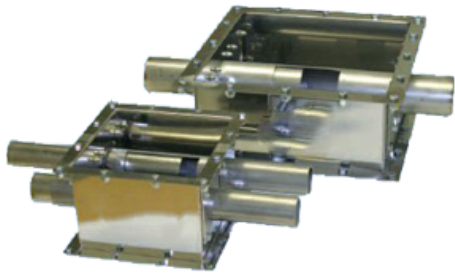




MDT SERIES

Modular Take-Off Boxes



The **MDT Modular Take-Off Boxes** are designed to introduce virtually any material into your vacuum conveying system. While these boxes are highly efficient for use with plastic pellets and long distances, they are excellent for use with regrind and hard-to-flow materials and provide durable construction in a simple modular design. The MDT Series take-off boxes feature stainless steel construction with stainless steel tube-in-tube assemblies for maximum flexibility in balancing the material flow into your conveying system. The versatile modular design is compatible with a wide range of applications and allows for easy assembly and cleanout.

Standard Features

Stainless steel box and tubes

Dual tube (Tube-in-tube) take off assemblies

Up to three take off assemblies per box

Sight glasses on unused positions

Ideal for conveying hard-to-flow material over long distances

Available box sizes:
16" (406mm) square flange – Maximum three take off assemblies
10" (254mm) square flange – maximum two take off assemblies

Optional Features

Material clean-out gate

Blank plate on bottom

Adapter plate to mate to 7" x 7" or 9" x 9" square flange drying hoppers

Take-off tube sizes:

- 1.5" OD
- 2.0" OD
- 2.5" OD
- 3.0" OD
- 3.5" OD
- 4.0" OD

Application Notes

Check available clearance below bin mounting flange

Pick correct box type to match your application

Do not mix tube sizes without consulting the factory

Use MDT dual tube modular take-off boxes if you are conveying hard-to-flow materials, such as flakes or powders

Use MDT dual tube take-off boxes if you are conveying any material over 200 equivalent feet

Consult factory for dry-air conveying applications or powder conveying applications

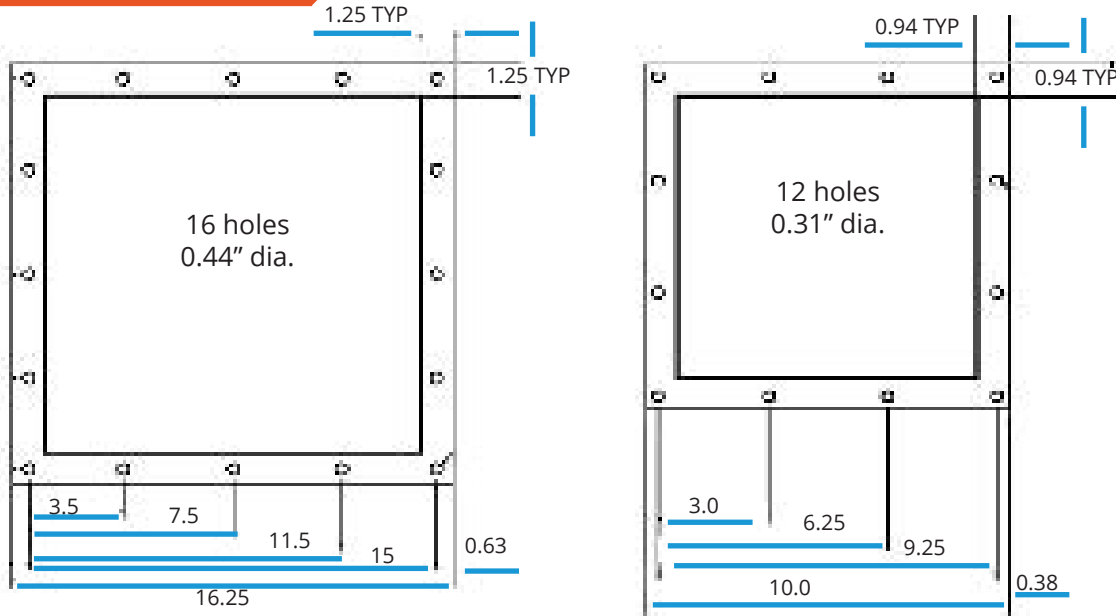
Maximum three (3) box stack-up allowed (consult factory)

Modular

Versatile

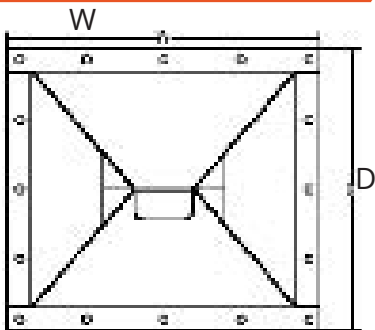
Durable

Product Diagrams



Style	Square Flange Size in (mm)	Height in. (mm)	Bolt Pattern		Number of tubes per MTO box						
			Top	Bottom	1.5"	2.0"	2.5"	3.0"	3.5"	4.0"	
A	16 (406)	6 (152)	16 holes	16 holes		3					2
B	10 (254)		12 holes	12 holes		2					1

Clean-out Gates



Style	H in. (cm)	W in. (cm)	D in. (cm)
A	6.94 (17.6)	16.25 (41.3)	16.25 (41.3)
B	4.31 (10.9)	10 (25.4)	10 (25.4)

