



# W-18 Pouch Machine



**The Winpak Generation III W-18 is a high output vertical form/fill/seal pouch packaging machine. The latest in a legacy of industry-leading speed, reliability and accuracy, the W-18 is capable of production rates over 1,500 packages per minute.**

- Ultra high-speed servo drive system.
- Idle mode allows machine to be stopped and started with no loss of product or packaging materials.
- Package features such as easy-open notches and perforations, pouring spouts and drip-resistant openings make packages as “user-friendly” as possible.
- Accurately fills products as thin as soy sauce and as thick as peanut butter. The W-18 is the industry standard for food, dairy, cosmetic, industrial and pharmaceutical products.
- Patented “Atmospheric Control” option provides superior hot fill performance for modified atmospheric packaging.
- Film web width of up to 20” (508mm).
- Particulates up to 3/4” (19mm).
- CIPable filling system and complete tank, valve, piping and control systems now available.
- Powered knife height adjustment.
- Tool-less fill tube height adjustment.
- Recipe feature provides instant electronic loading of saved parameters for product changeovers at the push of a button.
- Change parts available to convert to WP-20 format for three-sided seal (“stick pack”) package production.

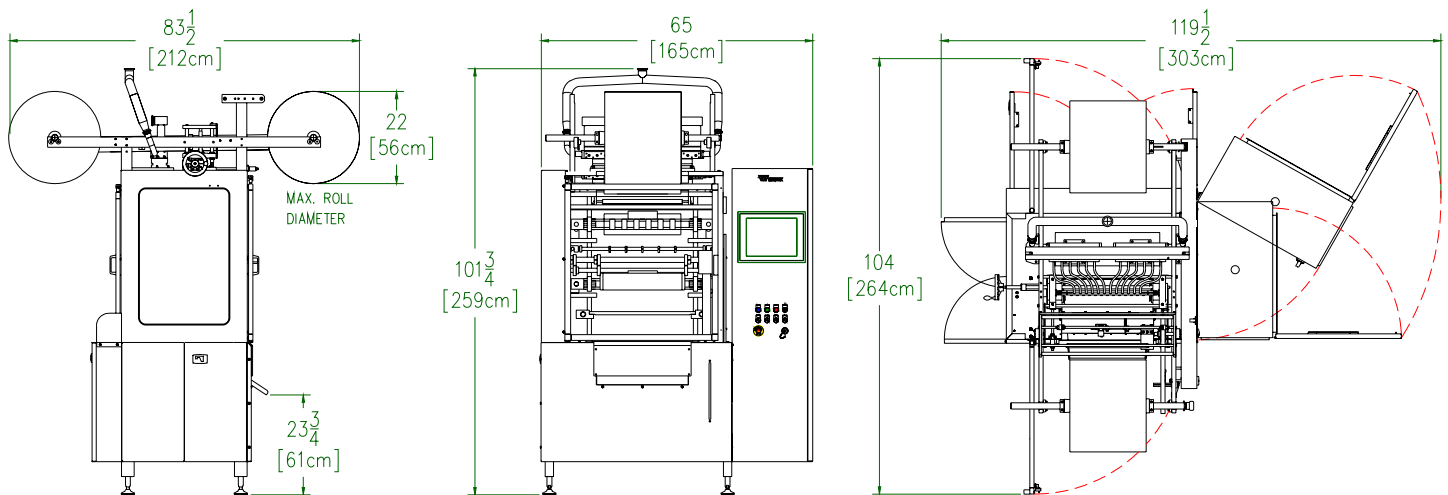




MACHINE SPECIFICATION	W-18
FILM WIDTH	Up to 20" (508mm)
PACKAGES PER CYCLE	2 to 12
PACKAGE WIDTHS	1.5" (38mm) to 9" (229mm)
PACKAGE LENGTHS	Minimum 2" (50mm) Maximum 12" (305mm)
CYCLES PER MINUTE	15 to 130
FILL VOLUME RANGE	Minimum 0.1 fl. oz. (3g) Maximum 32 fl. oz. (1kg)
FILL TEMPERATURE RANGE	Minimum 34°F (1°C) Maximum 195°F (90°C)

The W-18 produces a high integrity sealed pouch by combining two separate rolls of packaging film. Packages of varying widths may be produced with the use of appropriate change parts. A twelve-across pattern is the most common for packages with fill weights from 2 to 15g. A six-across pattern is typical for 1 to 3 oz. (3 to 90g) packages, such as salad dressings. Special Winpak features such as quick change pullwheels, easy on/off change parts, and fill tube height adjustment system make changeover to different package sizes a snap. Package length and fill volume can be easily adjusted in seconds. Full servo integration means that custom fill profiles can be created for each product, and recipe functionality allows production of each special set-up at the push of a button.

Other options include: front and back registration systems, edge control systems, splice detector, product tanks with level control, specialized low viscosity fillers, complete CIP valve and piping packages, access platforms, and a wide variety of date coding systems including embossing, thermal transfer and traversing ink jet.



**Winpak Lane, Inc.**  
 998 S. Sierra Way, San Bernardino, CA 92408  
 Tel: (909) 885-0715 • (800) 804-4224 • Fax: (909) 381-1934  
 e-mail: sales@wli.winpak.com • [www.winpak.com](http://www.winpak.com)