



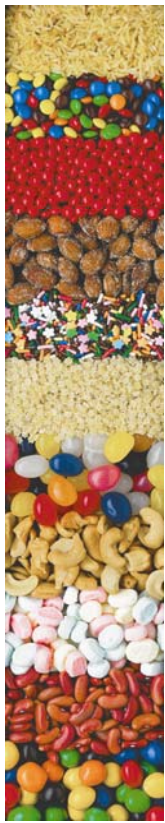
WD-32 Dry Pouch Machine



The Winpak WD-32 is a high output vertical form/fill/seal pouch packaging machine. This industry workhorse is capable of packaging a wide variety of particulate dry products at rates of up to 1000 packages per minute.

- Ultra high-speed servo drive system for producing more than 1000 packages per minute.
- Package features such as easy-open notches and perforations make packages as “user-friendly” as possible.
- “Atmospheric Control” option provides gas-injection for superior modified atmospheric packaging.
- On-the-fly product volume adjustment system.
- State of the art servo control system.
- WPD-32 also available for 3-sided seal packages

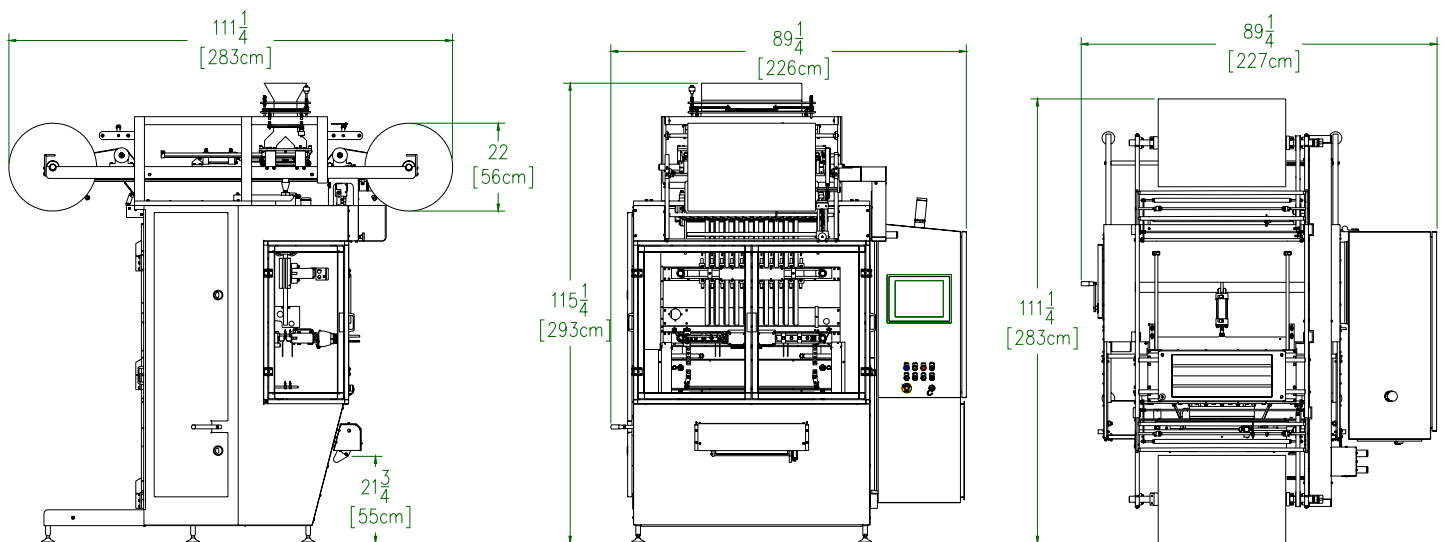




MACHINE SPECIFICATION	WD-32 / WPD-32
FILM WIDTH	Up to 32" (812.8mm)
PACKAGES PER CYCLE	4 to 12
PACKAGE WIDTHS	2" (50.8mm) to 4.5" (114.3mm)
PACKAGE LENGTHS	Minimum 2 3/8" (60mm) Maximum 9" (228mm)
CYCLES PER MINUTE	15 to 90
FILL VOLUME RANGE	Minimum 1/6 oz. (5g) Maximum 4 oz. (115g)
POUCHES PER MINUTE	60 to 1080

The WD-32 produces a high integrity sealed pouch by combining two separate rolls of packaging film. Packages of varying widths may be run with the use of appropriate change parts. Changeover for different package widths and number of packages across the web can be made easily and repeatably in a few hours. Package lengths can easily be adjusted in minutes. Winpak's innovators have optimized the machine for quick changeovers and provided precision timing for each product produced. This allows the fastest run speeds for each product, repeatability and speed during changeovers using recipe screens for set-up.

Additional options include: splice detector, embossing, ink jet and thermal transfer code daters, package gate and remote emergency stop.



Winpak Lane, Inc.

998 S. Sierra Way, San Bernardino, CA 92408

Tel: (909) 885-0715 • (800) 804-4224 • Fax: (909) 381-1934

e-mail: sales@wli.winpak.com • www.winpak.com