

Dead weight tester

Model: P910, P911 series

Spec. sheet no. PD09-01

Service intended

These series are designed to be used for gauge calibration. Operating range of these series is available up to 10 Mpa. It is designed to perform the tasks such as setting, testing, and repairing pressure measurement.



Dimensions

Base 186 mm (W) x 275 mm (H) x 286 mm (D)
Excluding hand wheel

Color

Black



Reservoir

These series have a centrally isolated mounting valve and a transparent cover which can be sealed in order that tester is moved without oil leakage.

Screw pump

The use of a large diameter ram eliminates the need for a priming pump.

Accuracy

0.04%

Piston cylinder unit

The tester is fitted with an oil reservoir, this is linked to the piston cylinder unit. A stop valve is provided to prevent excessive pressure driving the piston out of the cylinder.

Standard specification

Dead weight tester

| Model number | | P910 | P911 |
|----------------------------------|-------------|----------|-----------|
| Range | Maximum | 5 MPa | 10 MPa |
| Range | Maximum | 0.05 MPa | 0.1 MPa |
| Minimum unit pressure | | 0.05 MPa | 1 MPa |
| Area of ram | | ½ cm² | ¼ cm² |
| Diameter of ram | | 7.979 mm | 5.6420 mm |
| Dead-weight corresponds to (MPa) | Ram | 0.05 MPa | 1 pcs |
| | | 0.1 MPa | 1 pcs |
| | Dead weight | 0.05 MPa | 1 pcs |
| | | 0.1 MPa | 2 pcs |
| | | 0.2 MPa | 1 pcs |
| | | 0.5 MPa | 9 pcs |
| 1 MPa | 9 pcs | | |
| Total | | 5 MPa | 10 MPa |
| Tester | Weight | 10 kg | 10 kg |
| | Box weight | 7.5 kg | 7.5 kg |
| Ram | Weight | 26 kg | 26 kg |
| | Box weight | 2.8 kg | 2.8 kg |

Spare parts and tool

| Standard accessories | Quantity (pcs) |
|----------------------|----------------|
| Union ½" | 2 |
| Union ⅜" | 1 |
| Union ¼" | 1 |
| 300 mm wrench | 1 |
| 250 mm wrench | 1 |
| L type union ½" | 1 |
| Packing for union | 10 |
| Packing for piston | 3 |
| Hammer | 1 |
| Pointer remover | 1 |
| Oil drum | 1 |

Main order

1. Base model

P910 Dead weight tester (Calibration range: 5 MPa)

P911 Dead weight tester (Calibration range: 10 MPa)

2.

0000000000

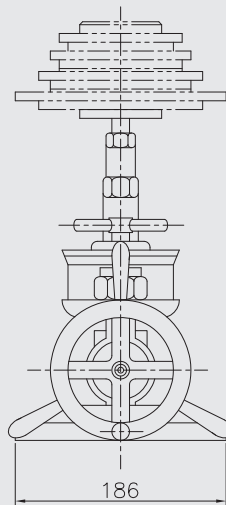
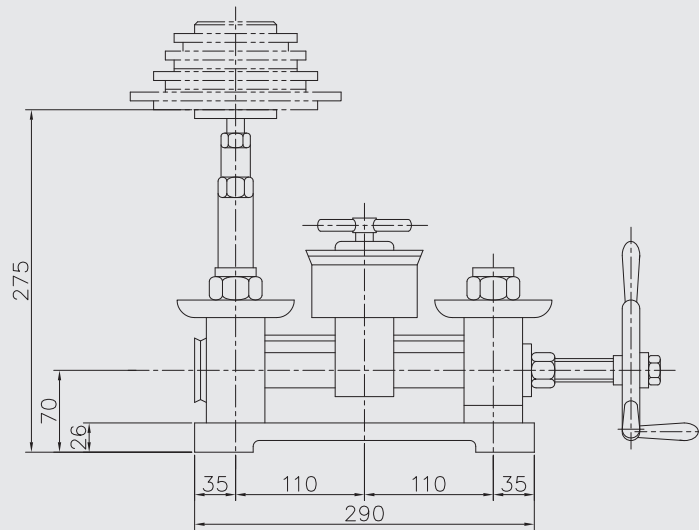
Ordering information

| | |
|------|------------|
| 1 | 2 |
| P910 | 0000000000 |

Sample
ordering code

P910, P911 : Type of mounting

Code P910,P911



Dimensions (mm)

| Available code | Range (MPa) | Increment (MPa) | Piston area (cm ²) |
|----------------|-------------|-----------------|--------------------------------|
| P910 | 0.05 ~ 5 | 0.05 | 1/2 |
| P911 | 0.1 ~ 10 | 0.1 | 1/4 |

Conversion table

Pressure conversion chart

| psi | atm | kgf/cm ² | inH ₂ O | mmHg | inHg | kPa | bar | mmH ₂ O |
|----------|-----------|---------------------|--------------------|---------|---------|---------|----------|--------------------|
| 1 | 0.068046 | 0.070307 | 27.7276 | 51.715 | 2.03602 | 6.835 | 0.06895 | 704.28104 |
| 14.696 | 1 | 1.0332 | 407.484 | 760 | 29.921 | 101.325 | 1.01325 | 10350.0936 |
| 14.2233 | 0.96784 | 1 | 394.38 | 735.559 | 28.959 | 98.096 | 0.98067 | 10,000 |
| 0.036092 | 0.002454 | 0.00253 | 1 | 1.8651 | 0.07343 | 0.249 | 0.00249 | 25.4 |
| 0.019336 | 0.001315 | 0.001359 | 0.53616 | 1 | 0.03937 | 0.1333 | 0.001333 | 13.618464 |
| 0.491154 | 0.0033421 | 0.03453 | 13.6185 | 25.4 | 1 | 3.3864 | 0.033864 | 345.9099 |
| 0.145 | 0.00987 | 0.010197 | 4.0186 | 7.5006 | 0.2953 | 1 | 0.01 | 102.07244 |
| 14.5038 | 0.98692 | 1.01972 | 402.156 | 750.062 | 29.53 | 100 | 1 | 10214.7624 |
| 0.00142 | 0.000097 | 0.0001 | 0.03937 | 0.0734 | 0.0029 | 0.0098 | 0.000098 | 1 |

Memo