

Explosion proof type differential pressure switch

Model: P991 series

Spec. sheet no. PD09-12

Service intended

P991 explosion proof type differential switch series are bellows type, and these are primarily used for detecting the draft pressure in thermal power plants.



Fluid

Air and gas

Repeatability

±1.5% of full range

Dead band

Fixed. 0.25 ~ 0.8 kPa or less

Differential pressure range (kPa)

0 ~ 4 kPa to 0 ~ 20 kPa

Static pressure

500 kPa

Working temperature

Ambient : -20 ~ 65°C

Fluid : Max. 60°C

Degree of protection

EN60529/IEC529/IP65



Standard features

Material

Pressure connection : 316SS
Bellows : Stainless steel (316L SS)
Gasket : PTFE

Case and cover

ALDC 12.1
Silver gray painted aluminium

Mounting

Surface wall mounting

Setpoint adjustment

Internal

Process connection

¼" NPT (F)

Conduit connection

¾" PF (F)

Operating environment

Hazardous area refer to the explosion-proof item for information

Optional

3-way manifold valve
5-way manifold valve

Contact type

One SPDT
One DPDT

Contact rating

- AC 125 V / 250 V, 15 A and DC 30 V, 2 A
DC 125 V, 0.5 A for resistance load
- AC 125 V / 250 V, 15 A and DC 30 V, 1 A
DC 125 V, 0.05 A for Inductive load

Approval by standard

KOSHA 12-AV2B0-0057

1. Base model**P991** Explosion proof type differential pressure switch**2. Type of mounting****B** Panel mounting**3. Switch form**

- 4** One SPDT
- 5** One DPDT

4. Contact

- 1** High alarm with single contact
- 2** Low alarm with single contact

5. Process connection**C** ¼" NPT (F)**6. Mounting bracket type**

- D** Standard bracket
- E** 304SS mounting bracket
- F** 316SS mounting bracket

7. Differential pressure range (kPa)

- 464** 0 ~ 4
- 465** 0 ~ 5
- 467** 0 ~ 7
- 469** 0 ~ 10
- 437** 0 ~ 20
- 419** -2 ~ +2
- 413** -5 ~ +5
- 000** Other

8. Switch type

- 0** Standard
- 1** High sensitivity

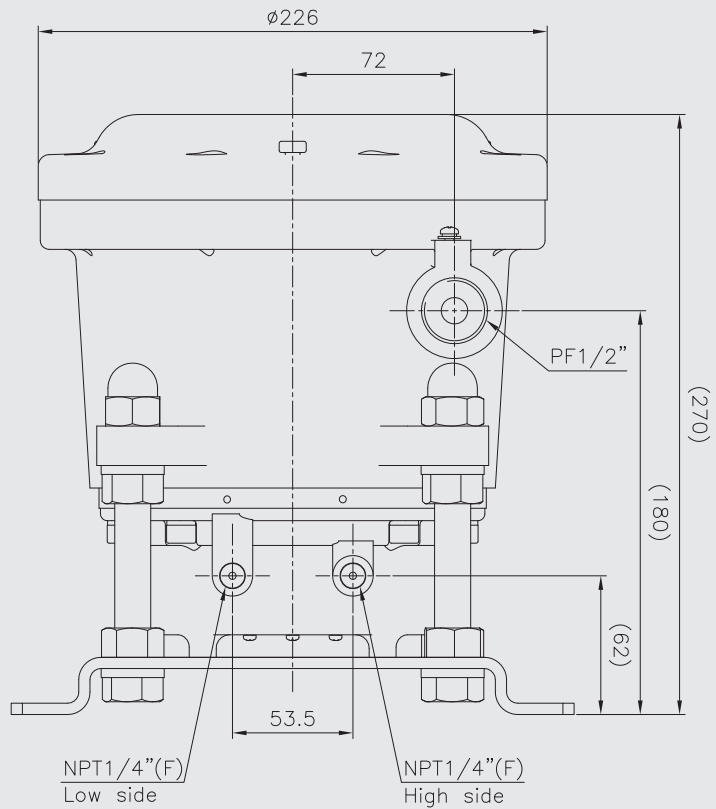
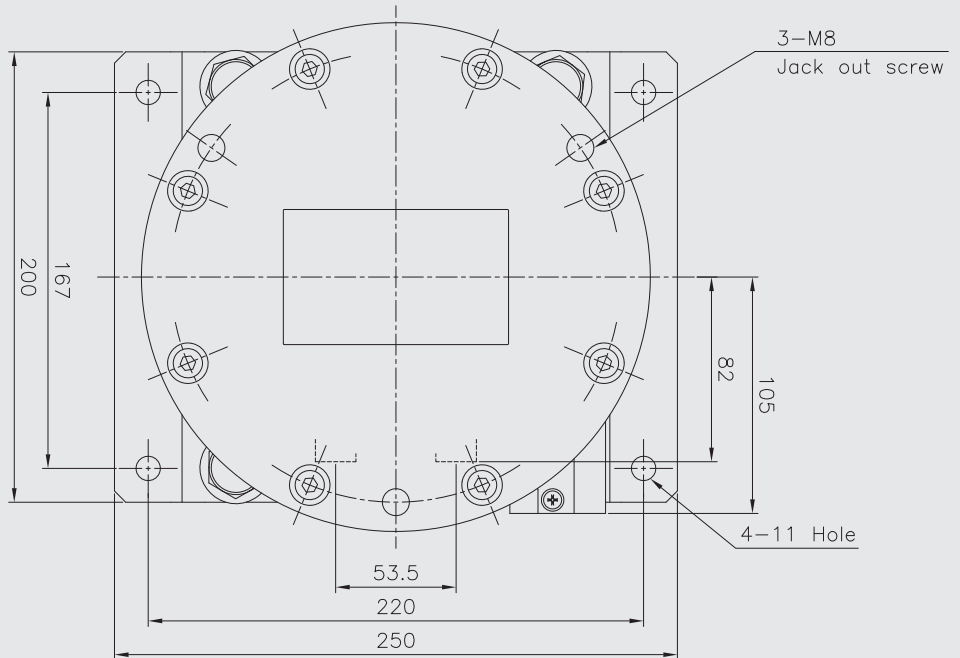
9. Options

- 0** Standard
- 1** Accessories (3-way and 5-way manifold valve)

1	2	3	4	5	6	7	8	9
P991	B	4	1	C	D	464	0	0

Sample
ordering code

P991 : Type of mounting



Blank memo area for writing.