

Union

Model : A010

Spec. sheet no. AD00-01

Service intended

It is used for adapting size of the pressure tap which is different from the size of the pressure instrument thread.



Ordering information

Base model : 1th thru 4th characters

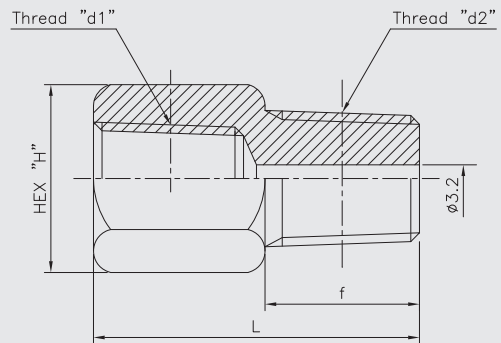
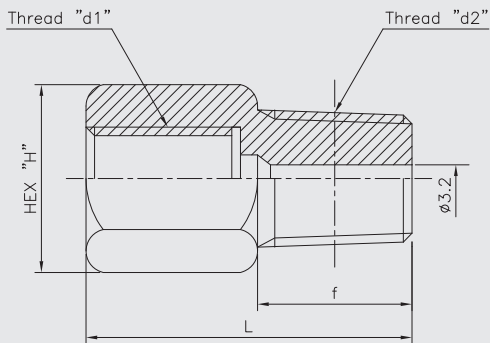
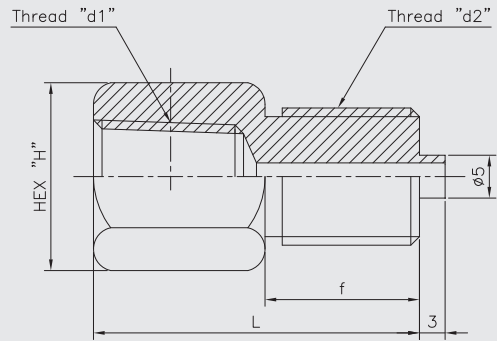
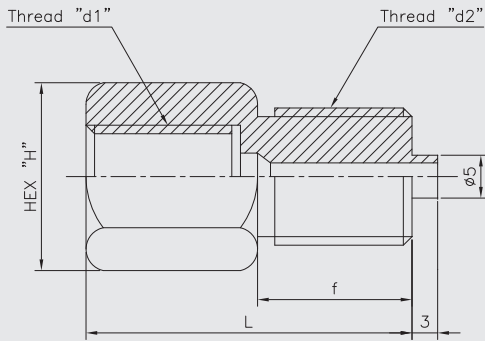


5 th character		6 th character		7 th character		8 th character	
Code	Unused character	Code	Material	Code	Gauge connection size	Code	Gauge connection type
A		A	Brass	0	¼"	A	PF (F)
		C	304SS	1	⅜"	B	PT (F)
		D	316SS	2	½"	C	NPT (F)
		F	316L SS	3	⅝"	D	UNF
		G	304L SS	4	⅞"	E	NPT (M)
		V	PVC	5	¾"	Z	Other
		Z	Other	9	Other		

9 th character		10 th character		11 th character	
Code	Process connection size	Code	Process connection type	Code	Unused character
A	½"	G	PF (M)	A0000	With vent cock plug
B	¼"	H	PT (M)	B0000	
C	⅜"	J	NPT (M)		
D	½"	K	UNF		
E	¾"	N	S.W		
F	1"	C	NPT (F)		
G	⅞"	Z	Other		
Z	Other				

A010AC1BDHA0000 sample ordering number

A010 : Type of mounting



* L : Maker standard

d1				d2			
	PF		1/4		PF		1/4
	PT		3/8		PT		3/8
	NPT		1/2		NPT		1/2
			3/4				3/4
SELECTION :							