

Pulsation dampener

Model : A040

Spec. sheet no. AD00-04

Service intended

It is used for reducing the pressure pulsation flowing from pump or air compressor in order to facilitate pressure gauge reading.

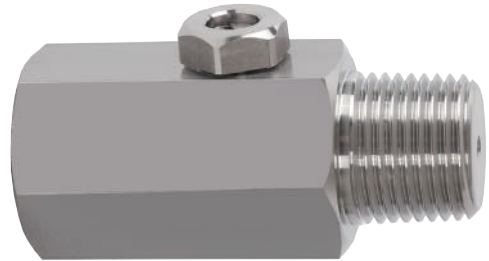


Ordering information

Base model : 1st thru 4th characters

A040 : Pulsation dampener

Max. static pressure up to 25 MPa

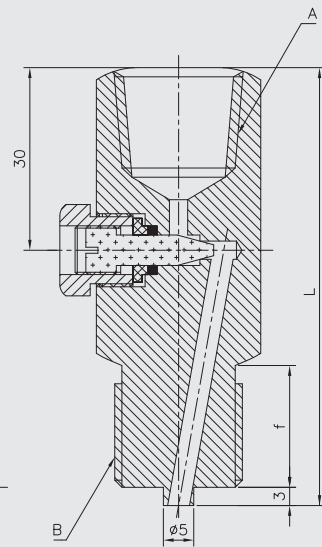
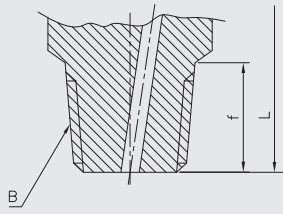
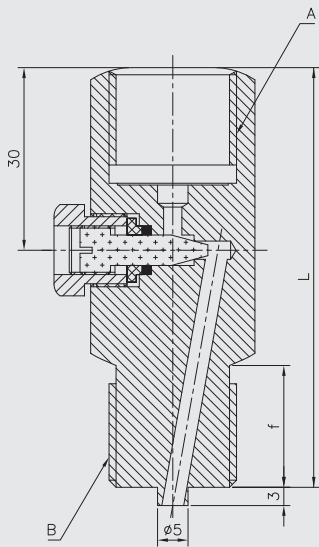
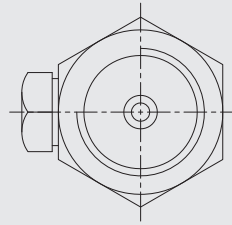
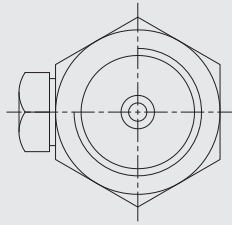


5 th character		6 th character		7 th character		8 th character	
Code	Unused type	Code	Material	Code	Gauge connection size	Code	Gauge connection type
A		D	316SS	0	¼"	A	PF (F)
		F	316L SS	1	⅜"	B	PT (F)
		G	Monel	2	½"	C	NPT (F)
		Z	Other	9	Other	Z	Other

9 th character		10 th character		11 th thru 15 th character	
Code	Process connection size	Code	Process connection type	Code	Unused character
B	¼"	G	PF (M)	A0000	
C	⅜"	H	PT (M)		
D	½"	J	NPT (M)		
Z	Other	Z	Other		

A040AC1BDJA0000 sample ordering number

A040 : Type of mounting



Dimensions (mm)

A	B	f	L
PF3/8	PF3/8	18	63
	PF1/2	20	63
PF1/2	NPT3/8	16	63
	NPT1/2	18	63
NPT3/8	PF3/8	18	63
	PF1/2	20	63
NPT1/2	NPT3/8	16	63
	NPT1/2	18	63