

Instrument valve

Model : A080

Spec. sheet no. AD00-08

Service intended

It is used for switching flow between one common connection and the other two connections. It can be used with pressure gauge and pressure transmitter.

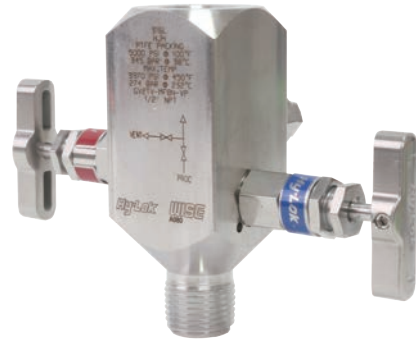


Ordering information

Base model : 1st thru 4th characters

A080 : Instrument valve

Max. static pressure up to 25 MPa



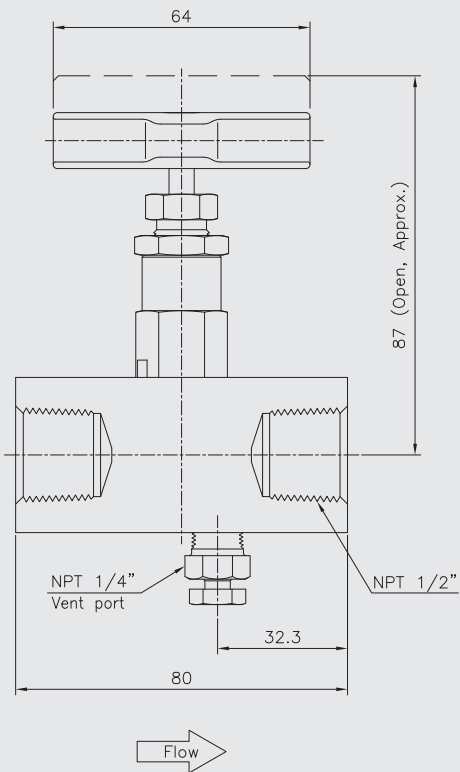
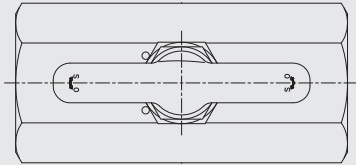
5 th character		6 th character		7 th character		8 th character	
Code	Type	Code	Gauge connection type	Code	Gauge connection size	Code	Process connection type
S	Isolation valve	W	NPT (F)	2	¼"	W	NPT (F)
W	2 way manifold	M	NPT (M)	4	½"	M	NPT (M)
		Z	Other	5	¾"	Z	Other
				9	Other		

9 th character		10 th character		11 th character		12 th character	
Code	Process connection size	Code	Packing material	Code	Bleed and plug	Code	Bleed and plug size
2	¼"	T	PTFE	A	None	1	¼" NPT (F)
4	½"	G	Graphite	B	Bleed	2	½" NPT (F)
5	¾"	Z	Other	C	Bleed with plug	3	No bleed
				9	Other	4	M8 screw
						Z	Other

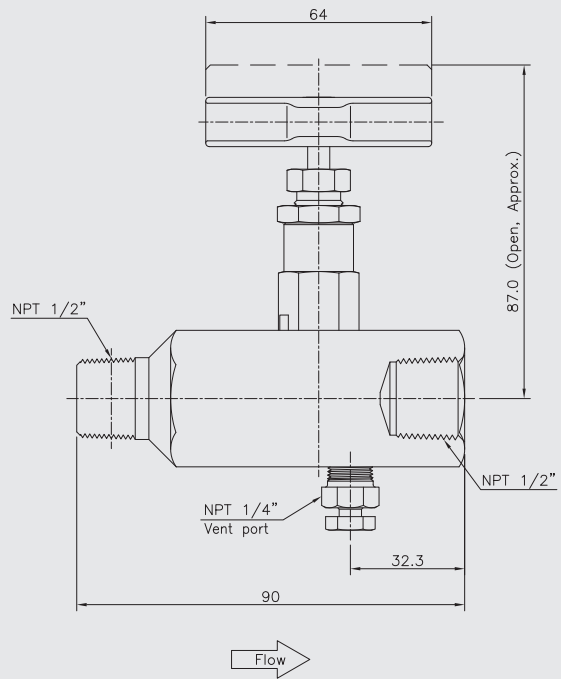
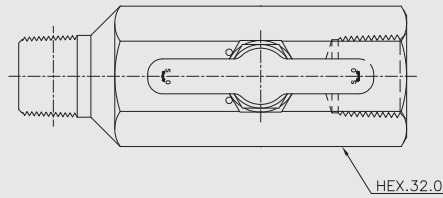
13 th character		14 th character		15 th character	
Code	Material	Code	Unused character	Code	Unused character
B	Hastelloy-C	X	All T bar	O	
C	CS				
H	316SS				
L	316L SS				
J	Monel				
Z	Inconel				
T	Other				

A080 : Type of mounting (1/2)

Code S

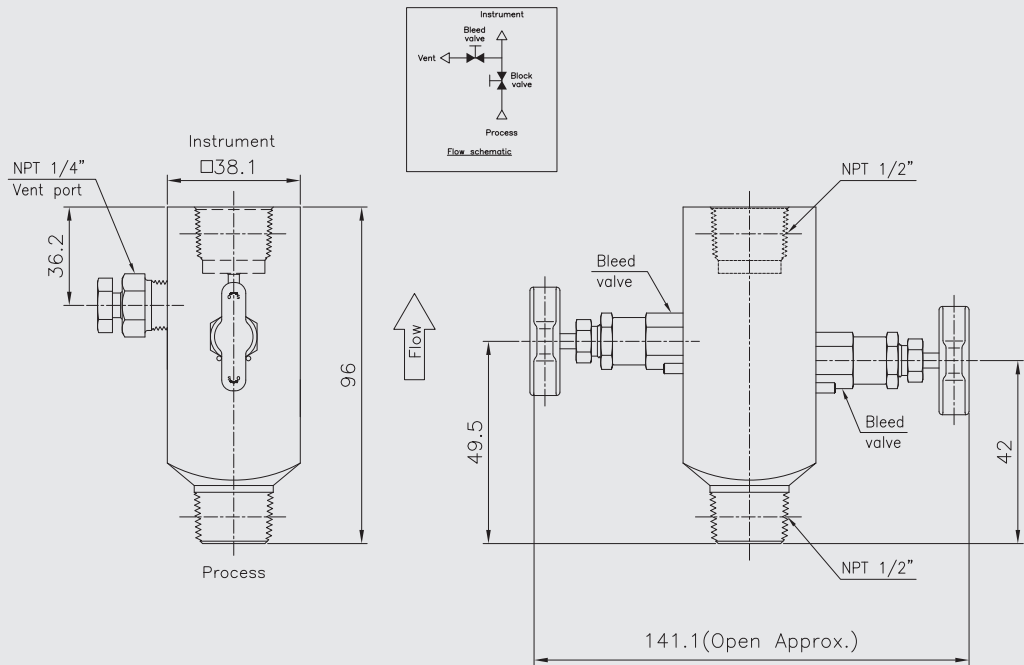


Code S

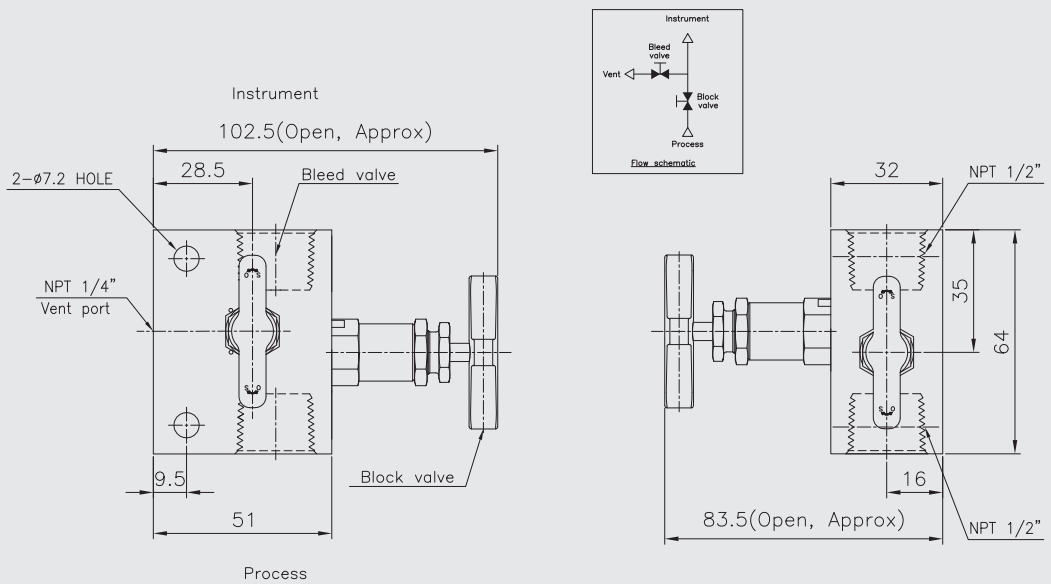


A080 : Type of mounting (2/2)

Code W



Code V



A large, empty rectangular box with a thin black border, intended for writing a memo.