

# Weatherproof temperature switch

Model : T941, T942

Spec. sheet no. TD09-03

## Service intended

This temperature switch is installed with a micro contact, and it is suitable for measuring the temperature of corrosive fluid. Dead band is fixed.



## Dimension

Refer to type of mounting

## Repeatability

±1.0% of adjustable range

## Measuring system (SAMA class IIIB)

Organic gas : 0 ~ 200°C (Only T932)

Inert gas : -200 ~ 700°C

## Dead band

One SPDT : 5 ~ 6% of full scale

Two SPDT : 12% of full scale

## Working range

Maximum scale value



## Standard features

### Location of stem and mounting

Bottom connection, surface, case mounting

### Case

Silver gray finished aluminium

### Cover

Silver gray finished aluminium

### Switch type

Micro switch snap action

### Switch form

One SPDT or Two SPDT

DPDT

### Capillary

Capillary : 1.6/0.2 mm, 316SS

Armored tube : 7.5/5.5 mm, 304SS

### Contact rating

■ AC 125 V/250 V, 15 A and DC 30 V, 2 A  
DC 125 V, 0.5 A for resistance load

■ AC 125 V/250 V, 15 A and DC 30 V, 1 A  
DC 125 V, 0.05 A for inductive load

### Conduit connection

½" or ¾" PF

### Stem

8.0, 10.0 and 12.0 mm

316SS and 316L SS

### Stem, process connection

¾", ½", ¼" PT, NPT and PF

**WISE**<sup>®</sup>

## Main order

## Ordering information

### 1. Base model

- T941** Weatherproof temperature switch (Single setpoint)  
**T942** Weatherproof temperature switch (Dual setpoint)

### 2. Unused character

- 9B** None

### 3. Stem material

- 1** 316SS  
**2** 316L SS

### 4. Stem, process connection

- A** None  
**D** 3/8"  
**E** 1/2"  
**F** 3/4"

### 5. Stem connection type (CF: Compression fitting)

- A** None  
**B** PF  
**C** PT  
**D** NPT  
**E** CF + PT  
**F** CF + NPT  
**G** CF + PF  
**H** MT + PT (Movable thread)  
**I** MT + NPT (Movable thread)  
**J** MT + PF (Movable thread)

### 6. Stem outer diameter (mm)

- 2** 8.0  
**3** 10.0  
**4** 12.0

### 7. Range

- XXX** Refer to scale range table

### 8. Capillary length

- A** Direct mounting type  
**P** 2 metre  
**Q** 3 metre  
**S** 5 metre  
**V** 8 metre  
**X** 10 metre  
**Z** Other

### 9. Accessories

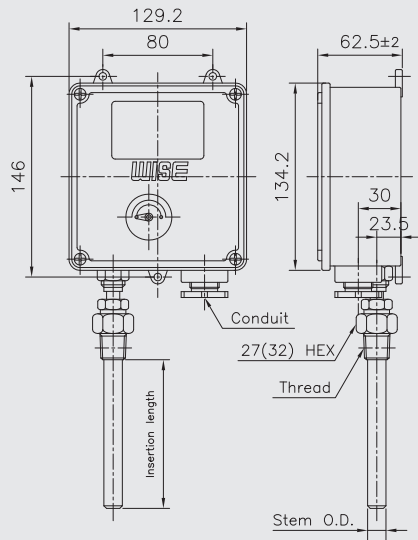
- 0** None  
**1** Thermowell

1	2	3	4	5	6	7	8	9
T941	9B	1	D	C	3	XXX	P	1

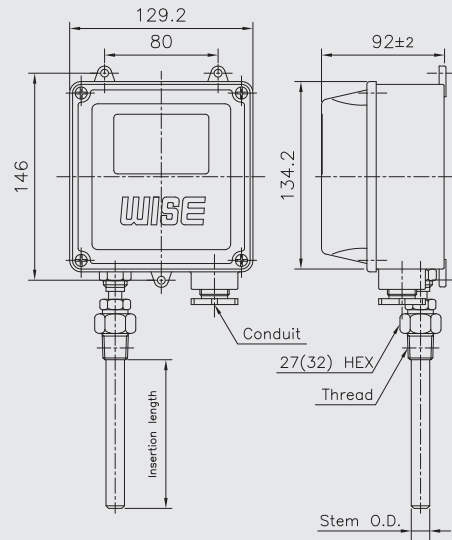
Sample  
ordering code

## T941, T942 : Type of mounting

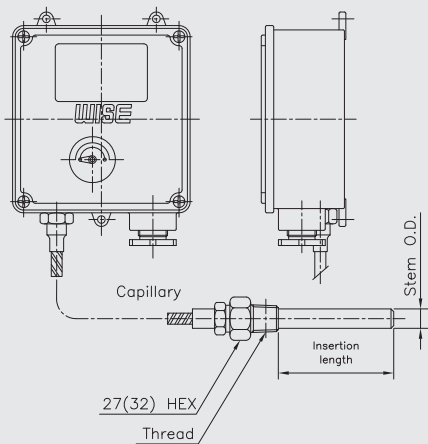
Code T941



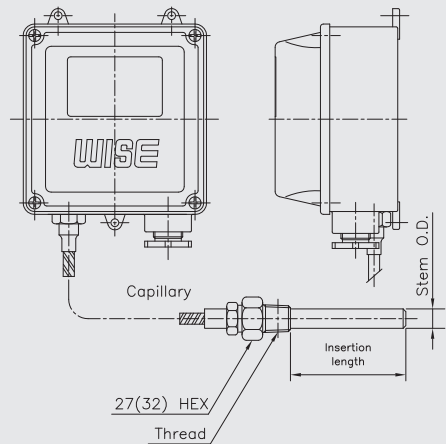
Code T942



Code T941\*



Code T942\*



## Scale ranges

Code	Scale range (°C)	Scale spacing(°C)	Minimum stem length (mm)			Standard stem length (mm)		
			8.0	10.0	12.0	8.0	10.0	12.0
032	-50 ~ 50	2	100	85	65	200	130	130
037	-50 ~ 100	5	100	88	65	200	130	130
054	-30 ~ 50	2	100	85	65	200	150	150
059	-30 ~ 100	2	100	85	65	200	130	130
061	-30 ~ 120	5	100	85	65	200	130	130
069	-20 ~ 50	2	100	85	65	200	130	130
074	-20 ~ 100	2	100	85	65	200	130	130
079	-20 ~ 150	5	100	85	65	200	130	130
084	-10 ~ 50	1	100	85	65	200	130	210
099	0 ~ 50	1	100	85	65	200	130	210
100	0 ~ 60	1	100	85	65	200	130	190
101	0 ~ 70	2	100	85	65	200	130	130
102	0 ~ 80	2	100	85	65	200	130	130
104	0 ~ 100	2	100	85	65	200	130	130
106	0 ~ 120	2	100	85	65	200	130	130
109	0 ~ 150	5	100	85	65	200	130	130
114	0 ~ 200	5	100	85	65	200	130	130
119	0 ~ 250	5	100	85	65	200	130	130
124	0 ~ 300	5	100	45	40	200	130	130
129	0 ~ 350	5	100	45	40	200	130	130
134	0 ~ 400	10	100	45	40	200	130	130
144	0 ~ 500	10	100	45	40	200	130	130
154	0 ~ 600	10	100	45	40	200	130	130
164	0 ~ 700	10	100	45	40	200	130	130

\* 0 ~ 700°C/Special range

## Insertion length

Code	1	2	3	4	5	6	7	8	9	A	B	C
Length (mm)	50	60	70	80	100	120	130	150	175	200	225	250

Code	D	E	F	G	H	J	K	L	M	N	P
Length (mm)	275	300	350	375	400	450	500	550	1,000	1,500	2,000