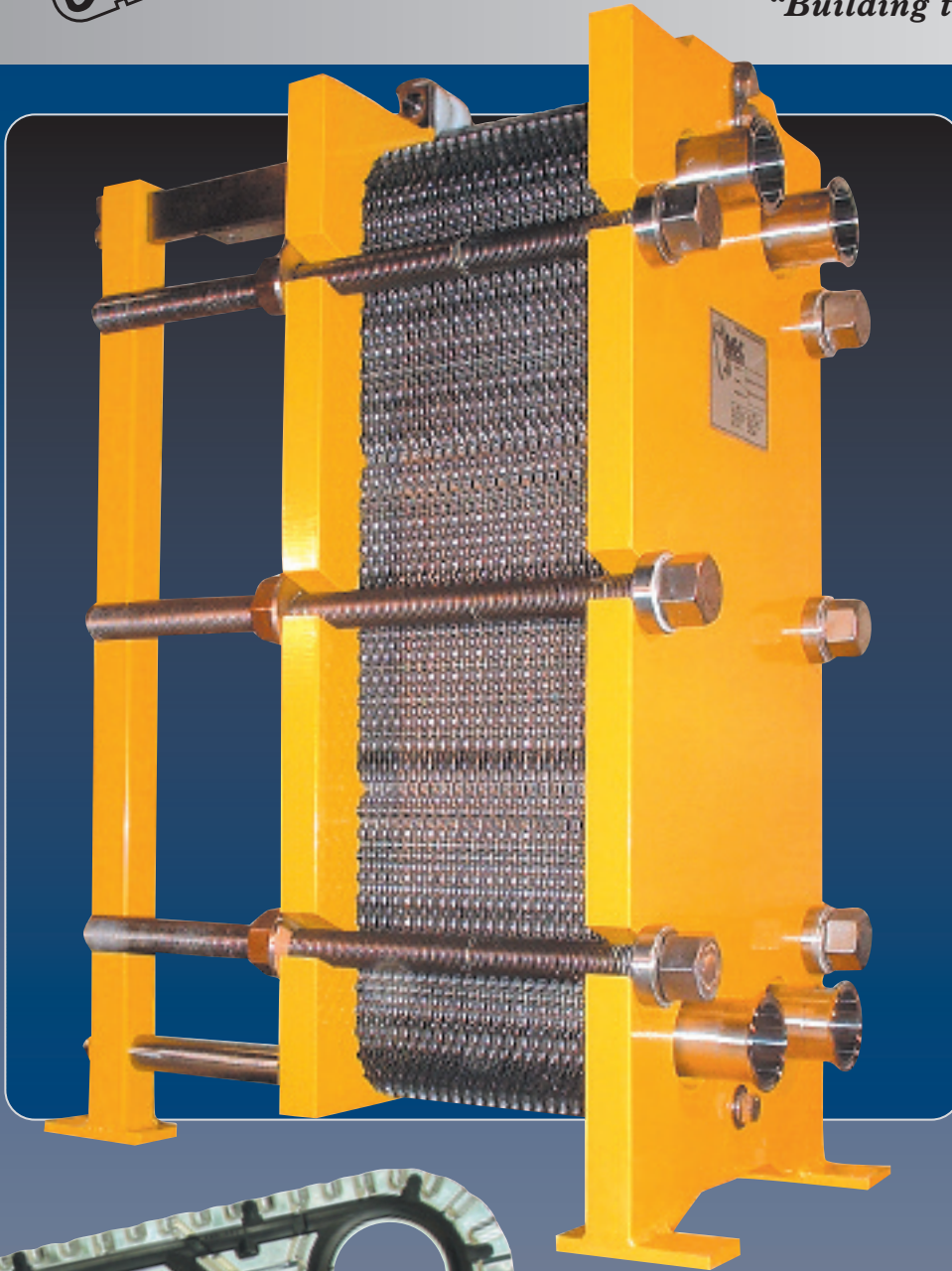




PRO2-F

PLATE HEAT EXCHANGER FRAME

"Building the best, servicing the rest"™



QUALITY

- Sanitary polished finish applied to all stainless steel parts.
- Operating pressures up to 150 psig [10 bar].
- Made in the USA.

DEPENDABILITY

- All sanitary stainless steel wetted parts.
- Heavy duty corrosion resistant powder coating to protect frame.
- Oversized tie bolts for easy open/close operation.

RELIABILITY

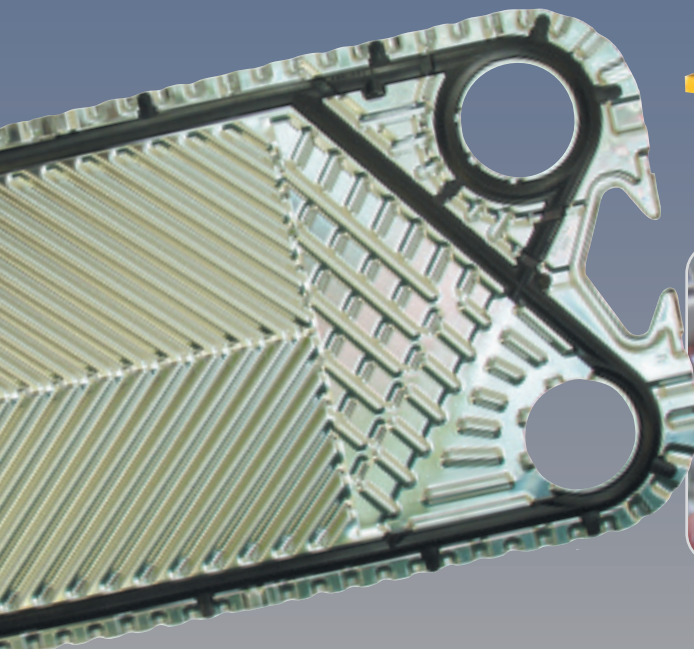
- Strong solid steel plate - rugged and proven design.
- Enclosed tie bolt bearings.
- Heavy wall port nozzle connections as standard.

EXPANDABILITY

- Frames supplied for plate expandability.
- All eight ports available for future duty expansions.
- Terminals available to safely separate heating, cooling or regeneration sections.

PLATES

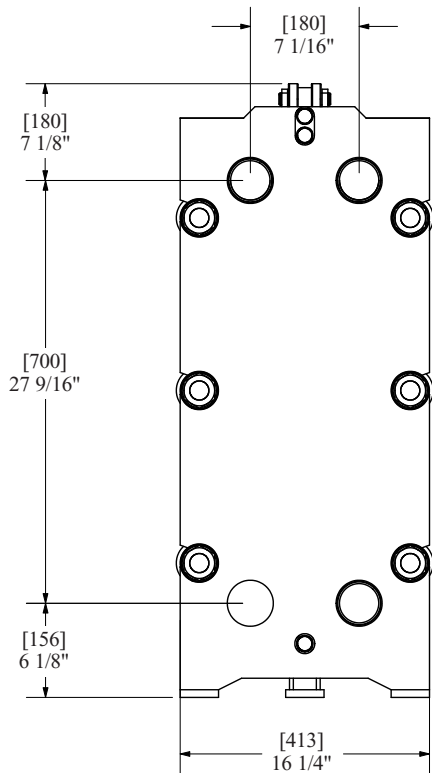
- Pro2 plates measure 331/4" x 117/8" [855 x 302 mm] - Made in the USA.
- Made of a heavy 0.7mm thick, 316 stainless steel with a high quality sanitary finish.
- Features an improved heat transfer pattern and a wide gap to resist fouling.
- Line-contact support points to increase the life of the plate.
- Increased entrance area cross-section to decrease pressure loss.
- Solid metal-to-metal contact to allow high operational pressures.



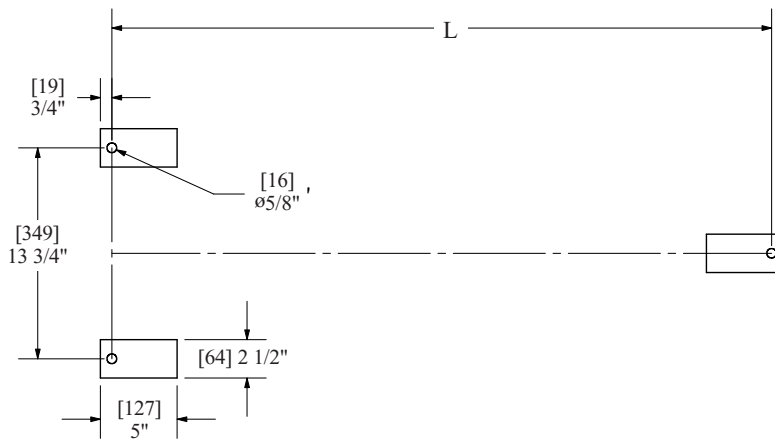
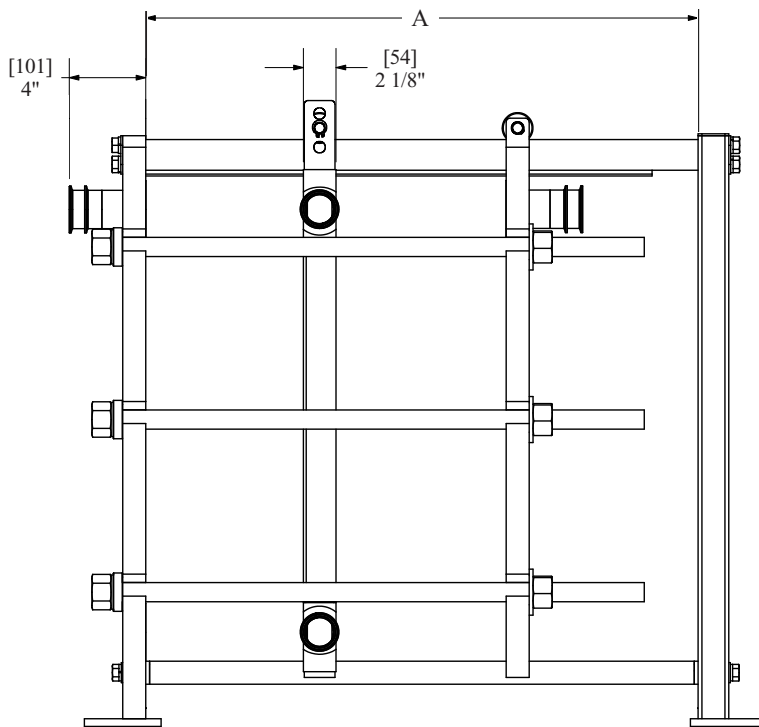
Improved Entrance Area



PRO2-F



This drawing is the confidential property of AGC HEAT TRANSFER and it must not be reproduced in any form without written consent



GENERAL INFORMATION

Plate and Gasket Weight:	3.5 lbs 316 S.S. / 1.58 kg 1.9 lbs Titanium / 0.86 kg
Plate Capacity:	0.16 US Gallons / 0.61 l
Heat Transfer Area:	1.87 ft ² / 0.17 m ²
Plate Thickness:	0.7 mm
Frame Weight: (according to size)	530-730 lbs / 240-331 kg
Standard Frame Connections:	2 1/2" Sanitary Clamp
Terminal Connections:	2" Sanitary Clamp
Terminal Weight:	130 lbs / 59 kg

FRAME SIZE	FOOT CENTERS [L]	RAIL LENGTH [A]	PLATE CAPACITY
2	31" [788]	24" [610]	84
3	43" [1092]	36" [915]	136
4	55" [1398]	48" [1219]	188
5	67" [1702]	60" [1524]	239
6	79" [2007]	72" [1829]	291

Dimensions not to be used for construction



Western
9109 SE 64th Ave.
Portland, OR 97206
503.774.7342
800.715.8820
FAX 503.774.2550

Central
1325 Remington Rd.
Suite T
Schaumburg, IL 60173
847.301.6890
FAX 503.774.2550

Eastern
10129 Piper Lane
Bristow, VA 20136
703.257.1660
800.825.8820
FAX 703.330.7940

