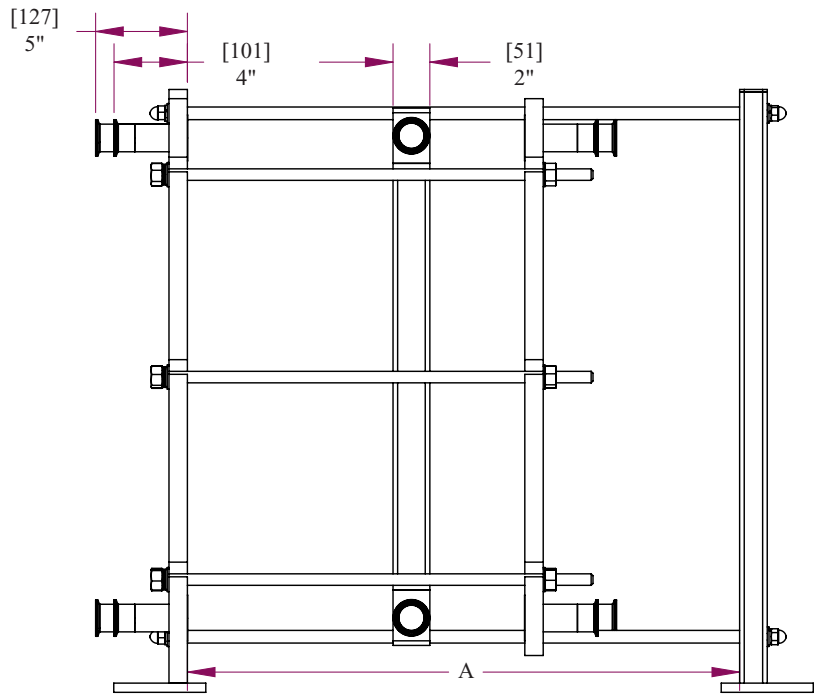
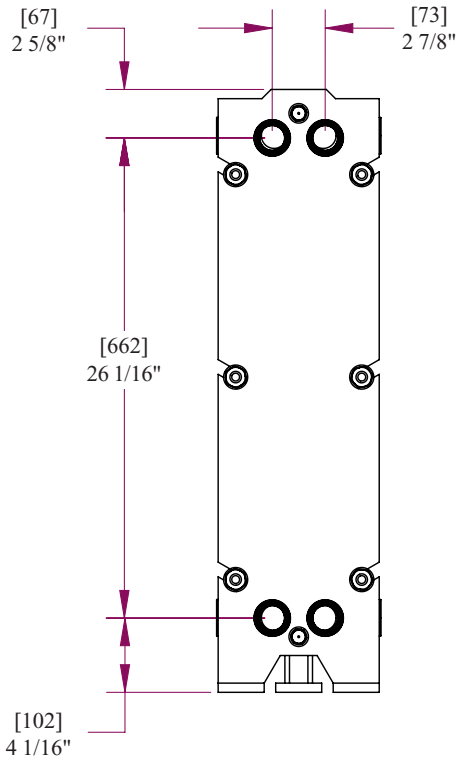


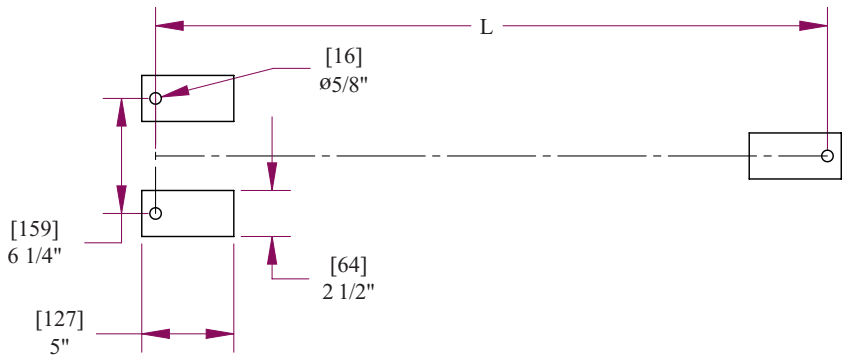
080-F

PLATE HEAT EXCHANGER FRAME

"Building the best, servicing the rest"™



This drawing is the confidential property of AGC ENGINEERING and it must not be reproduced in any form without written consent



GENERAL INFORMATION

Plate and Gasket Weight:	1.3 lbs / .59 kg
Plate Capacity:	0.05 US Gallons / .19L
Heat Transfer Area:	0.86 ft ² / .08 m ²
Plate Thickness:	0.6mm
Frame Weight: (according to size)	170 - 190 lbs / 77 - 86 kg
Standard Frame Connections:	1 1/2" Sanitary Clamp
Terminal Connections:	1 1/2" Sanitary Clamp
Terminal Weight:	28 lbs / 12.8 kg

FRAME SIZE	FOOT CENTERS [L]	RAIL LENGTH [A]	PLATE CAPACITY
1	24 1/2" [622]	18" [457]	50
2	36 1/2" [927]	30" [762]	130
3	48 1/2" [1232]	42" [1067]	210

Dimensions not to be used for construction



Western
 9109 SE 64th Ave.
 Portland, OR 97206
 503.774.7342
 800.715.8820
 FAX 503.774.2550

Central
 1325 Remington Rd.
 Suite T
 Schaumburg, IL 60173
 847.301.6890
 FAX 503.774.2550

Eastern
 10129 Piper Lane
 Bristow, VA 20136
 703.257.1660
 800.825.8820
 FAX 703.330.7940

