

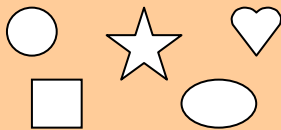


**SAVAGE**  
**BROS. CO.**  
S I N C E 1 8 5 5

## Carousel Cream Center Extruder & Cutter

### Single Cut Cream or Truffle Extruder & Cutter

A few of the nozzles we  
have available:



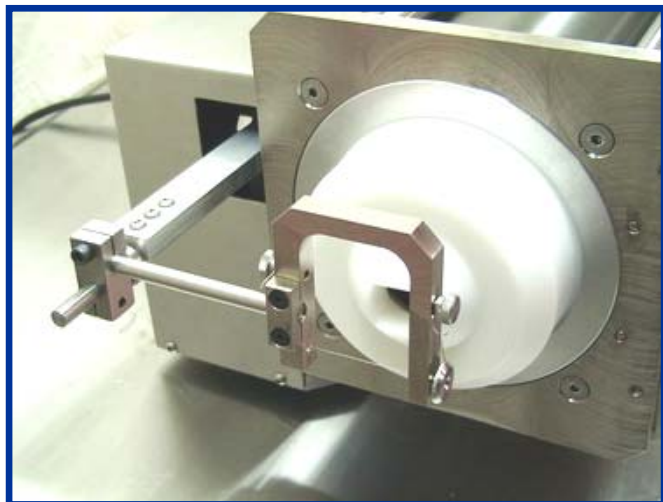
Ask about other shapes  
and custom nozzles



- Extrude and cut Creams, Ganache, Fudges, Marzipan, Truffles, Cookie Dough, and More!
- Increase productivity of operator by more than 300% over any hand method of forming centers.
- Make round, oblong, egg shape, diamond, square, or heart shape, using interchangeable nozzles.
- Maintains uniformity of weight and shape better than any other extruder on the market.
- Independent adjustable rates for extrusion and for cutting – repeatable sizes at the rate you want
- Can cut 20-25 lbs per hour



- Counter-top convenience
- 14" wide x 32" deep x 17" high
- Standard voltage - 120VAC 60Hz  
or 240VAC 50Hz

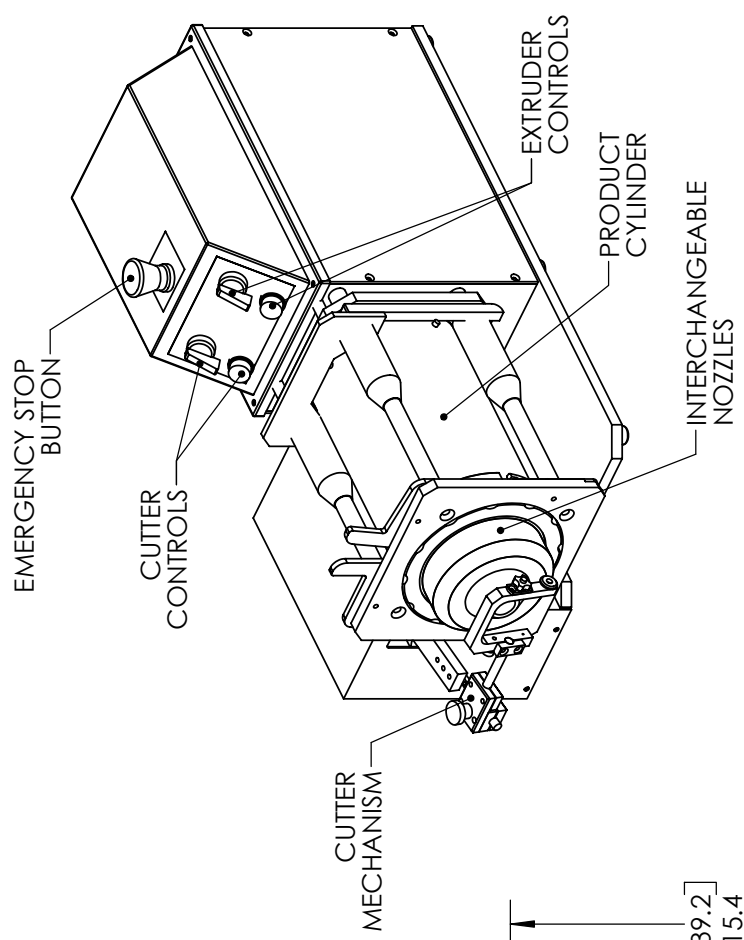
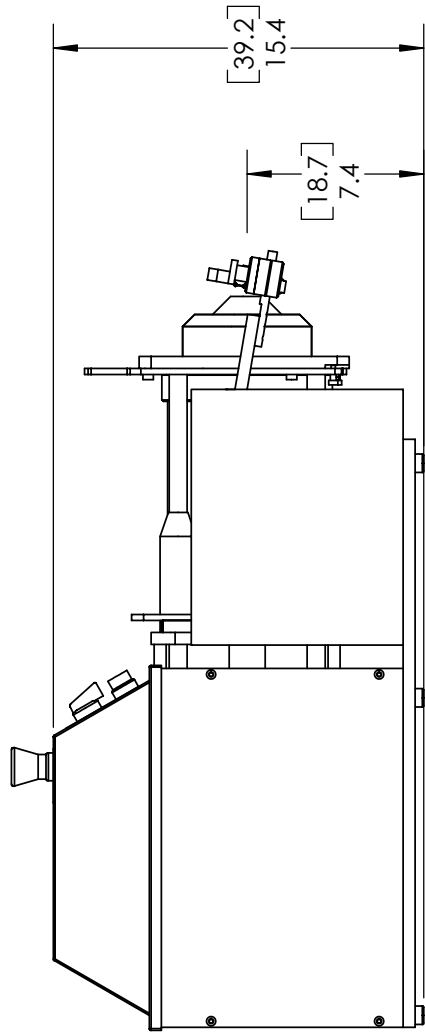
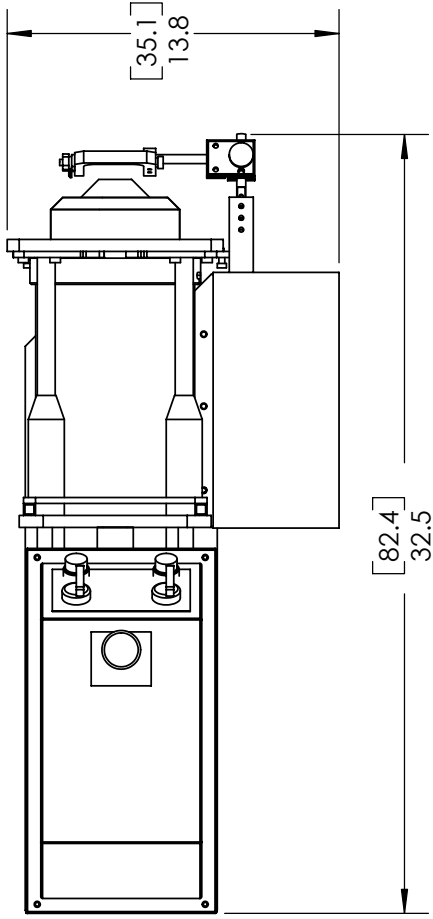


1125 Lunt Avenue ♦ Elk Grove Village, IL 60007 ♦ U.S.A.

Ph: 847-981-3000 ♦ USA Fax: 800-2-SAVAGE ♦ World Fax: 847-981-3010

Web Site: [www.savagebros.com](http://www.savagebros.com) ♦ E-Mail: [info@savagebros.com](mailto:info@savagebros.com)

*The Carousel Line – Machinery For the Efficient Artisan Candy-Maker*



UNITS: [CENTIMETERS]  
INCHES

DO NOT SCALE DRAWING



**Savage Bros. Co.**  
1125 W. Lunt Ave  
Elk Grove Village, IL 60007 U.S.A.  
Phone: (847) 981 - 3000  
USA Fax: (800) 2 - SAVAGE  
World Fax: (847) 981 - 3010

CAROUSEL CREAM CUTTER / EXTRUDER  
OVERALL DIMENSIONS

DWG. NUM. SD-CUTTER\_EXTRUDER

|          |    |      |          |       |     |       |        |
|----------|----|------|----------|-------|-----|-------|--------|
| DRAWN BY | MP | DATE | 04-12-07 | SCALE | 1:8 | SHEET | 1 OF 1 |
|----------|----|------|----------|-------|-----|-------|--------|