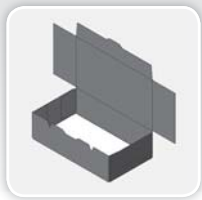


16B

Tri-Seal Carton Closer



where products meet packaging®

Featuring positive, continuous motion lugged carton transfer design, the new ADCO 16B is the right answer for your tri-seal carton closing needs. When it comes to speed, flexibility, footprint and value, the 16B hits the mark. Designed to seal a wide variety of carton shapes and sizes, the affordable 16B accepts cartons back-to-back at speeds up to 80 cycles per minute. No complex positioning systems needed here. ADCO's time-tested lugged transfer design keeps positive control of the carton all the way through the closing and sealing operation. This reliable and simple to operate tri-seal carton closer is ideal for the most demanding and cost conscious production environments. Like all ADCO machines, the 16B is constructed in stainless steel and is available in standard or washdown configurations.

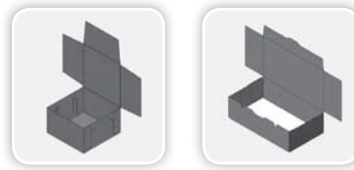
Benefits

- Stainless steel construction improves cleanability
- Positive, continuous motion lugged carton transfer maximizes control and reliability
- Fast, easy changeover improves productivity and reduces downtime
- Large carton size range protects your investment as products change
- Advanced guard design keeps operators safe and maximizes maintenance access
- Capable of running hood style donut cartons

16B Tri-Seal Carton Closer

Product Features

- Stainless steel construction
- Compact frame with leveling feet and casters
- Lugged carton transfer system
- Cover left/right orientation
- 1-HP variable speed drive system
- Powered discharge side belts
- Nordson® ProBlue hot melt glue system
- Allen-Bradley® control package
- Category 3 safety system with a fully-interlocked barrier guard package
- Many options available upon request



Typical Applications

- Baked goods
- Flow-wrapped products
- Dairy products
- Snack foods
- Frozen foods
- Consumer products

Utilities

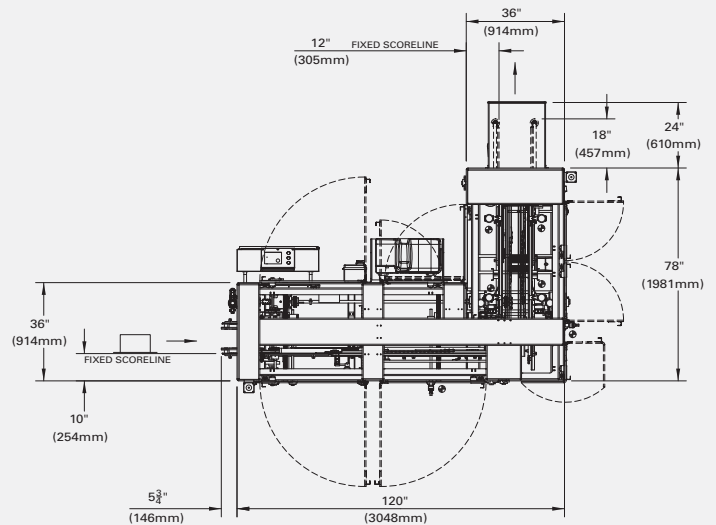
Electrical

230/460 VAC, 3-Phase with ground (PE), 60 Hz

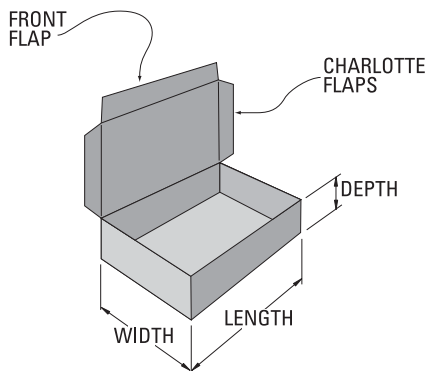
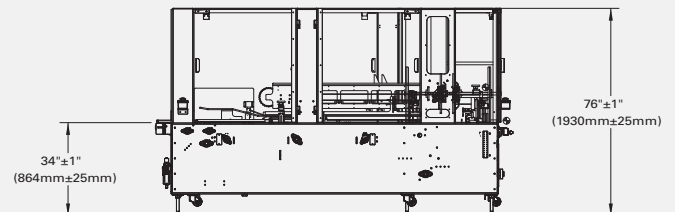
Air Consumption

2-3 CFM @ 70 PSI

PLAN VIEW



SIDE ELEVATION



CARTON SIZE RANGE

Dimensions	(in)		(mm)	
	Min	Max	Min	Max
Length	4	12	101	305
Width	4	10	101	254
Depth	1	4	25	101

Not all minimums and maximums apply.
Special modifications are available to extend the size range.



For more information on this product, scan the QR code with your mobile device.